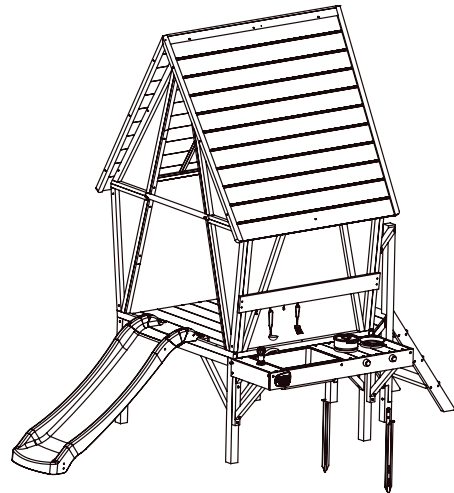




Playhouse

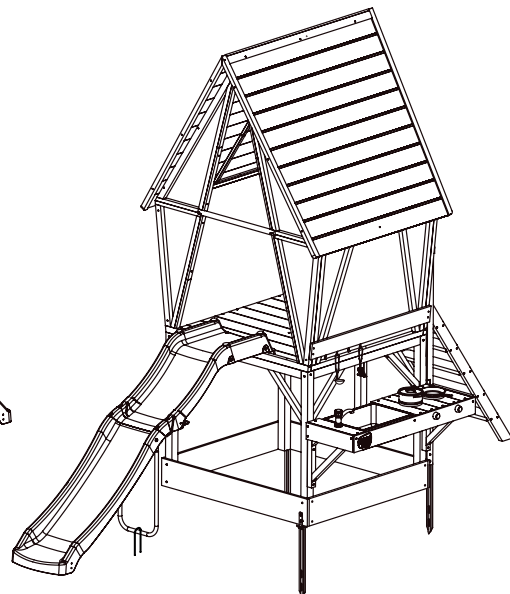
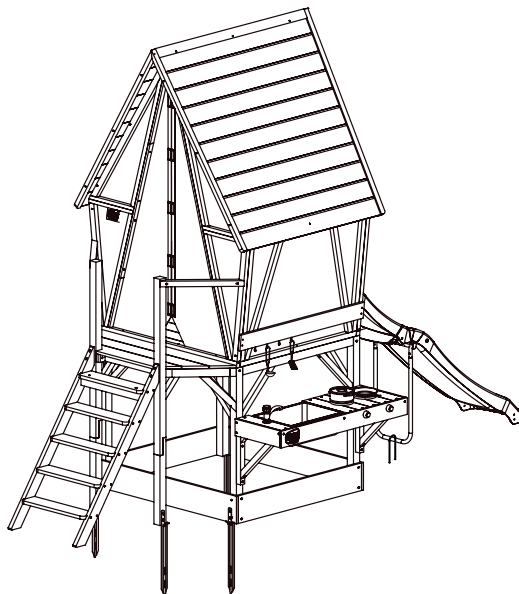
EXIT Yuki 350 / 550



EXIT Yuki 350 Playhouse

50.54.03.50

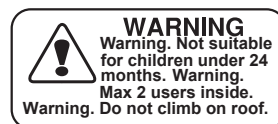
(P1-P14)

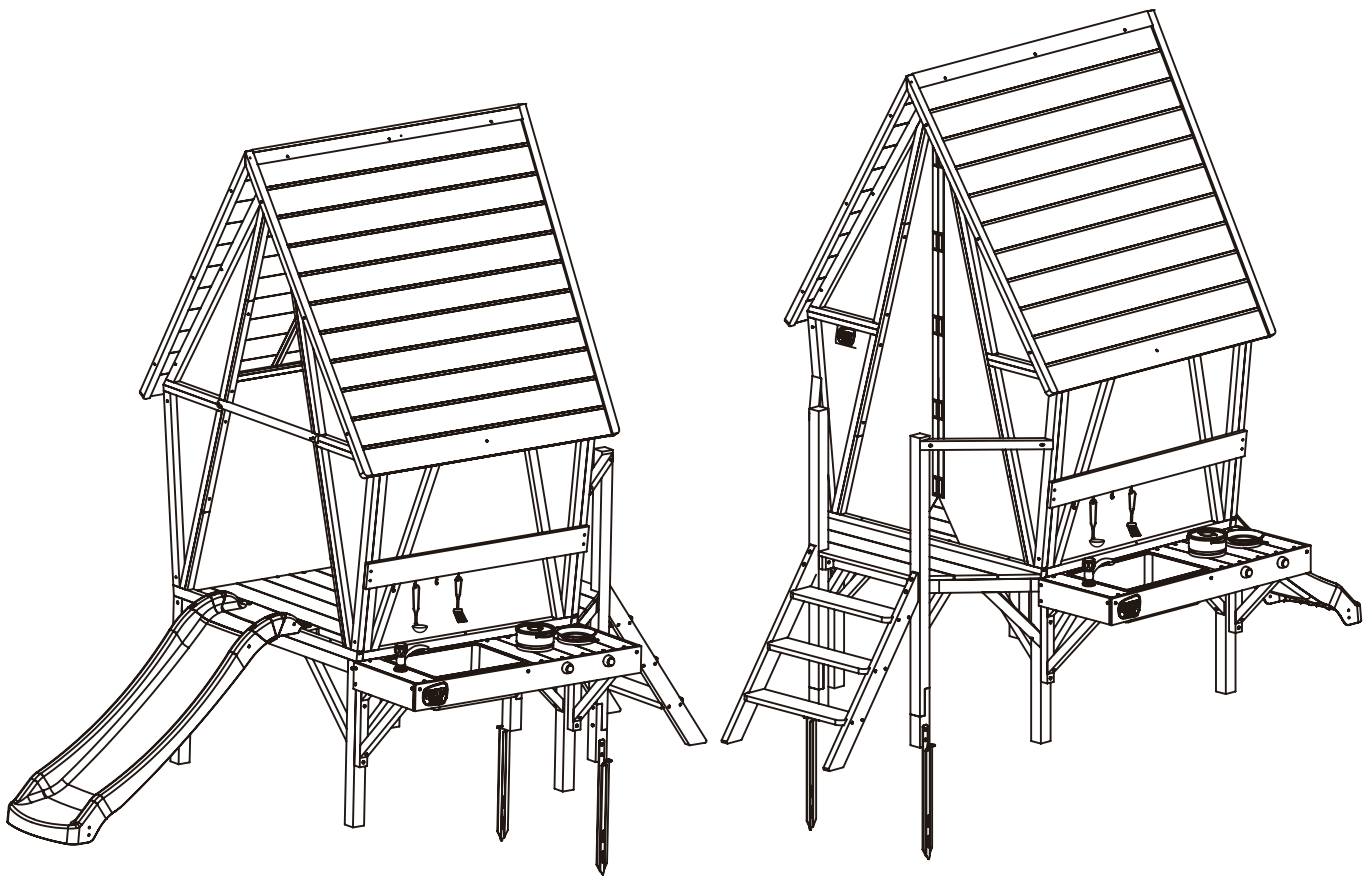


EXIT Yuki 550 Playhouse

50.54.05.50

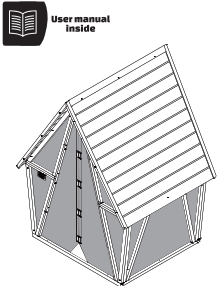
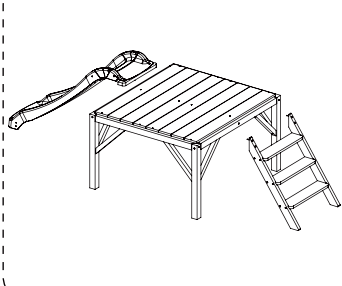

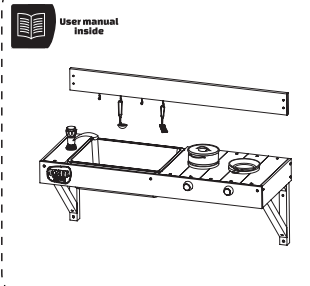
(P15-P48)





EXIT Yuki 350 Playhouse

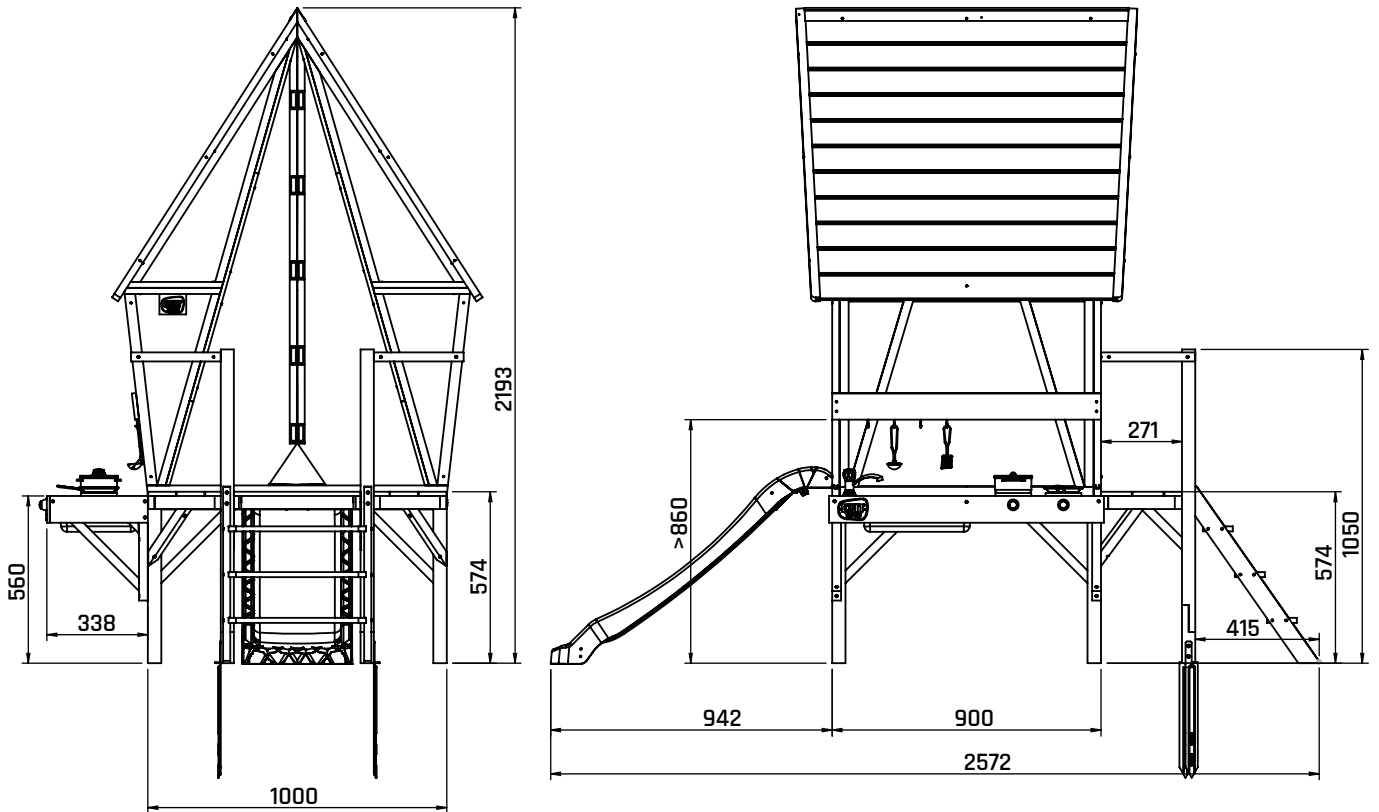
50.54.03.50

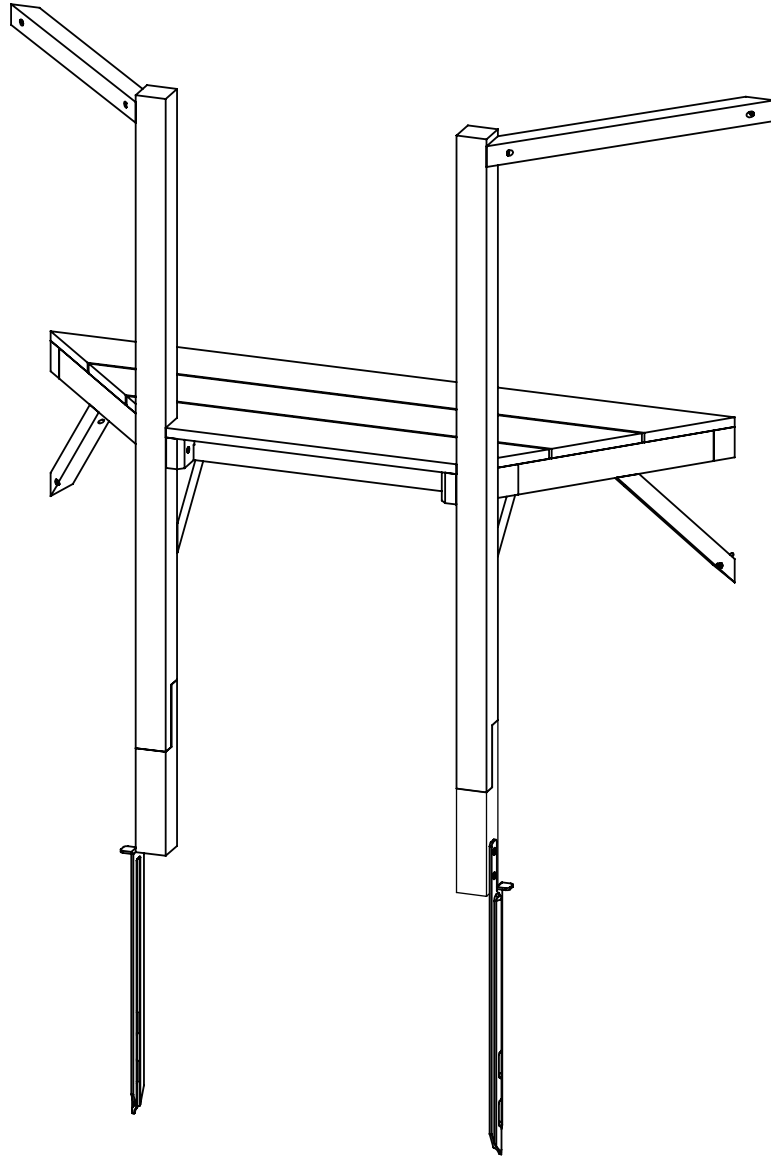
	+		+		+	
<p>EXIT Yuki 100 Playhouse 50.54.01.00</p>		<p>EXIT Frame 300 50.90.03.00</p>		<p>EXIT Yuki Balcony Frame 350 / 550 50.90.54.00</p>		<p>EXIT Yummy 50 Mud Kitchen 51.10.00.00</p>

EXIT Yuki 350 Playhouse

50.54.03.50

Unit: mm

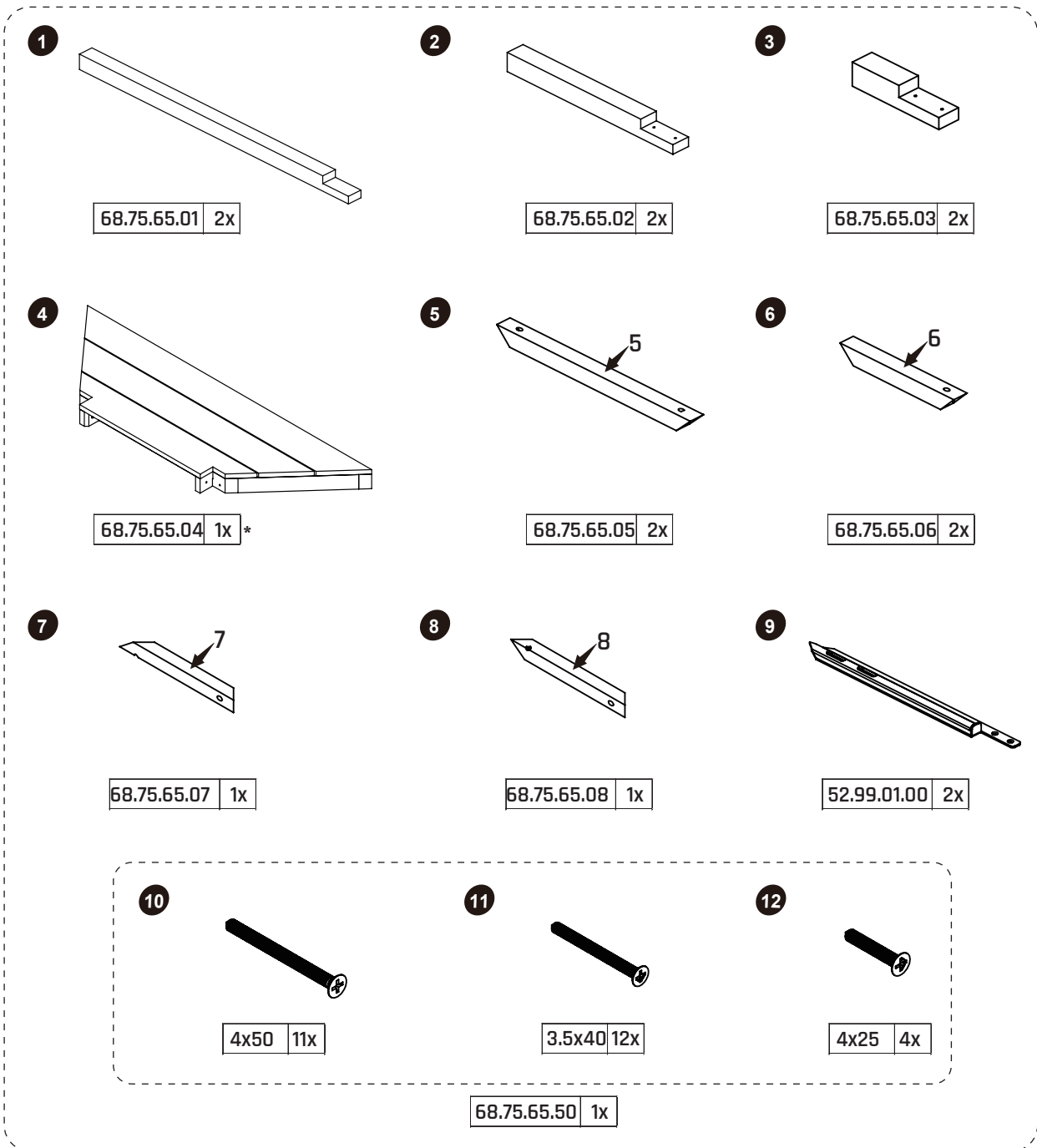




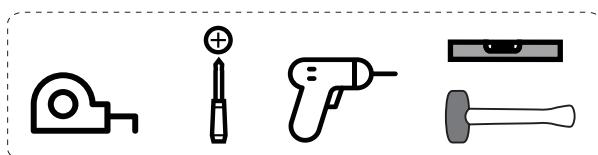
**User manual
inside**

EXIT Yuki Balcony Frame 350 / 550

50.90.54.00



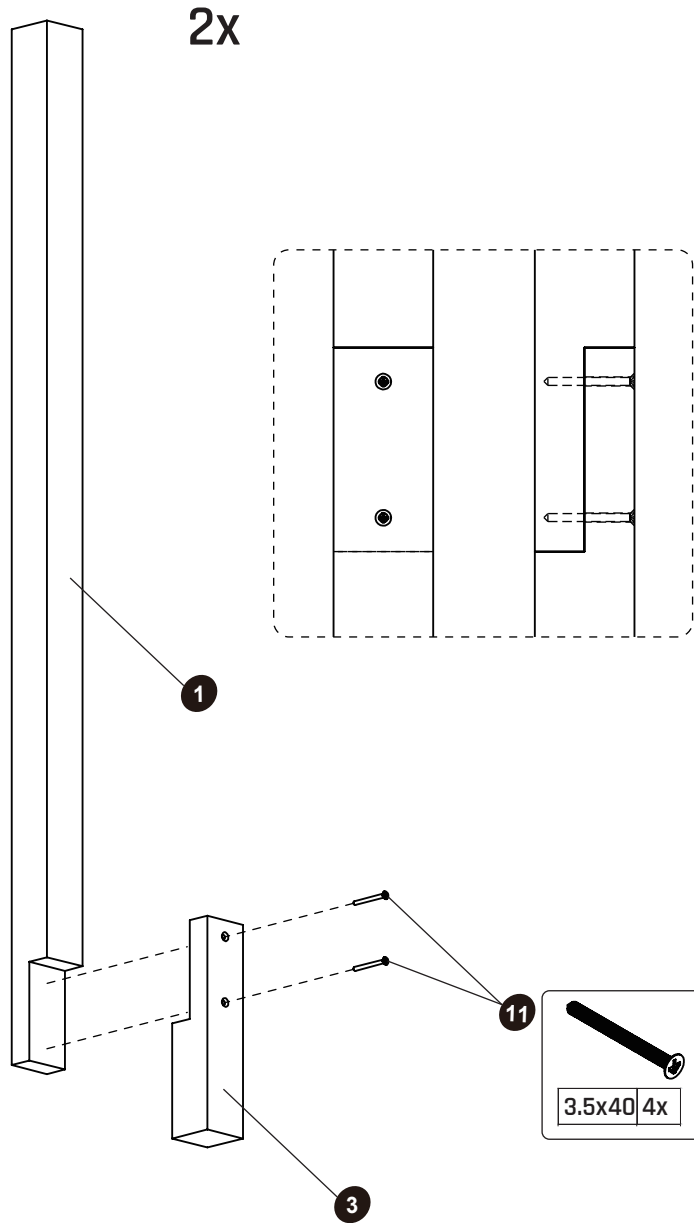
50.90.54.00



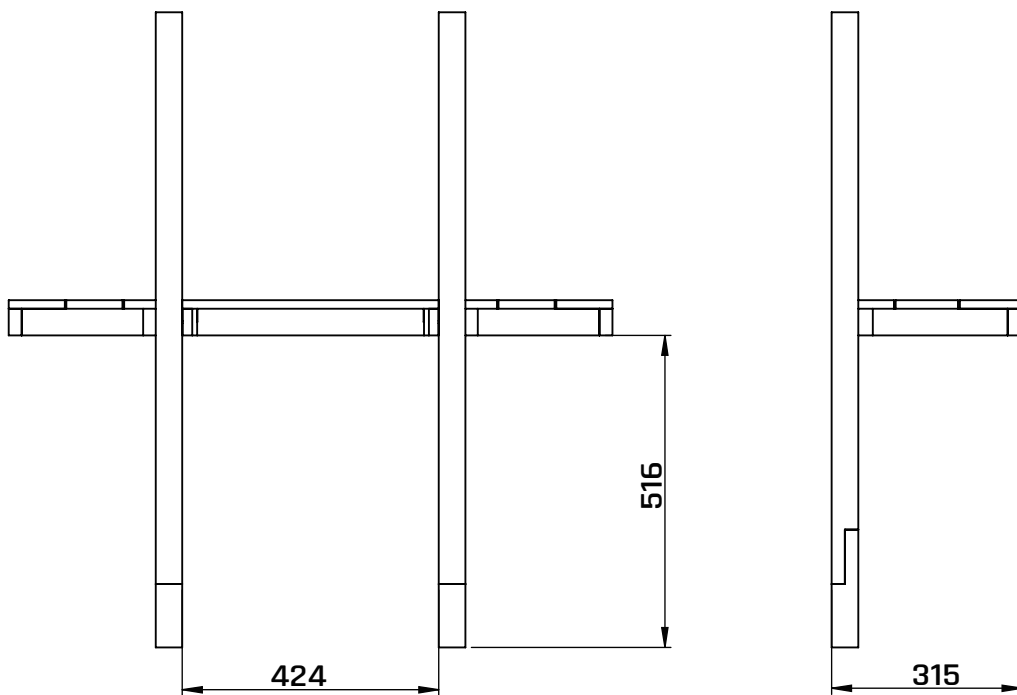
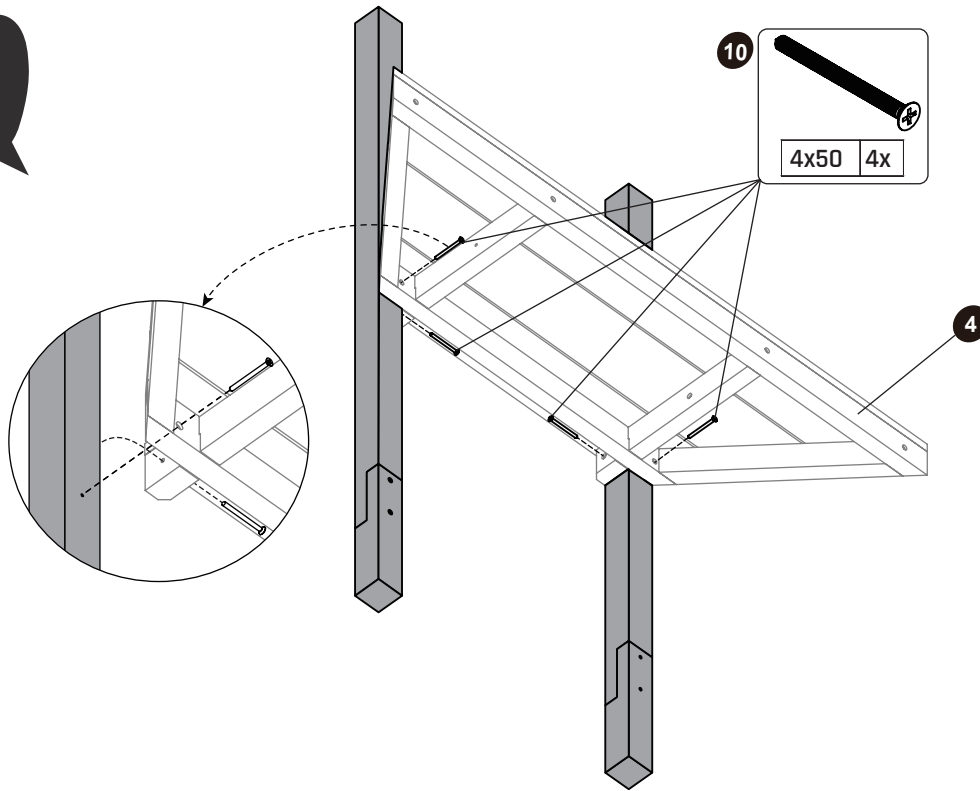
* BOX REFERENCE: XX.XX
PRODUCTION ID: XXX XXX



1

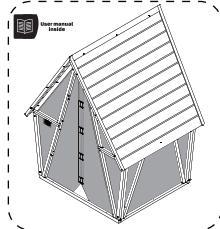


2

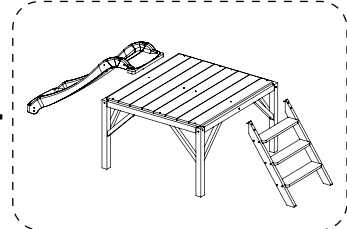


3

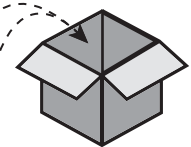
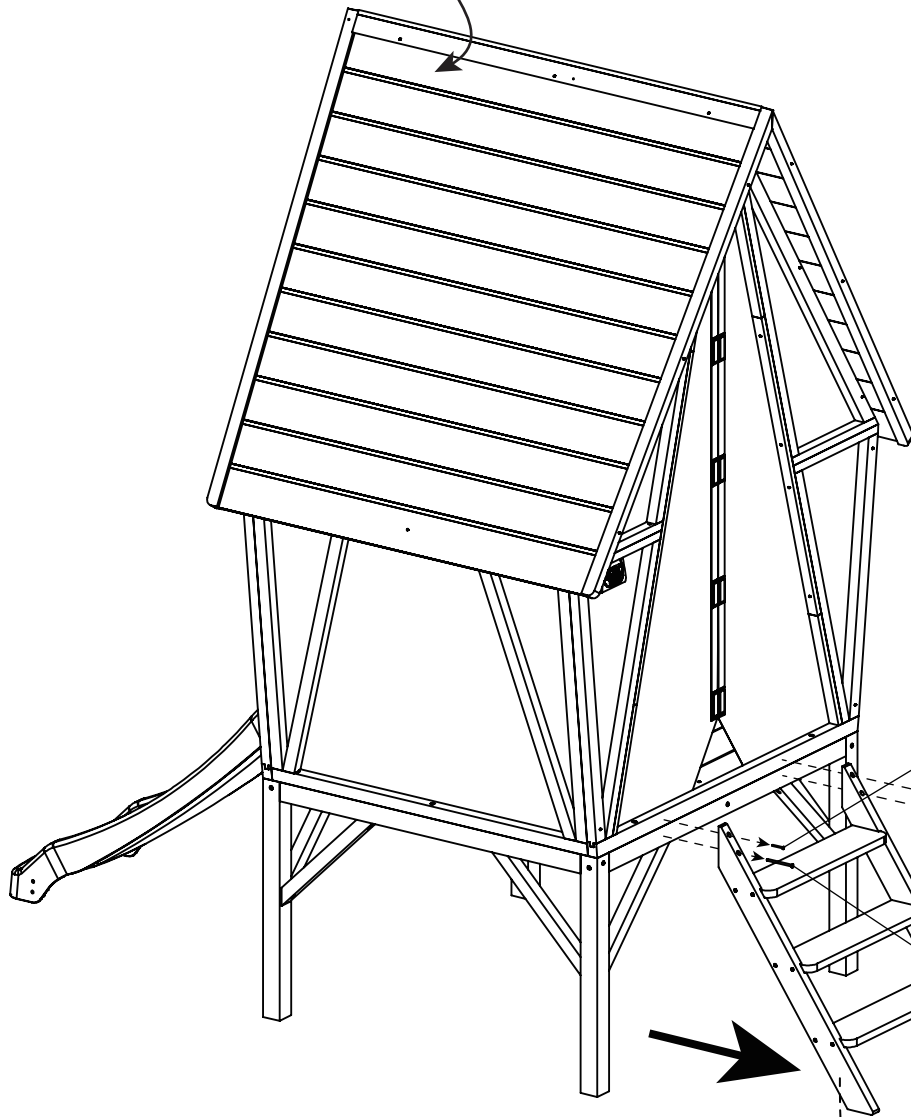
EXIT Yuki 300 Playhouse
50.54.03.00



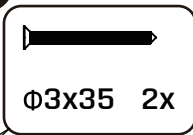
EXIT Yuki 100 Playhouse
50.54.01.00



EXIT Frame 300
50.90.03.00

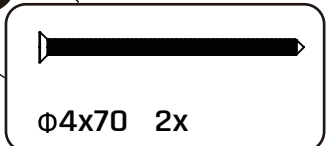


14

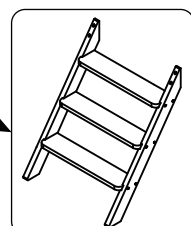


Φ3x35 2x

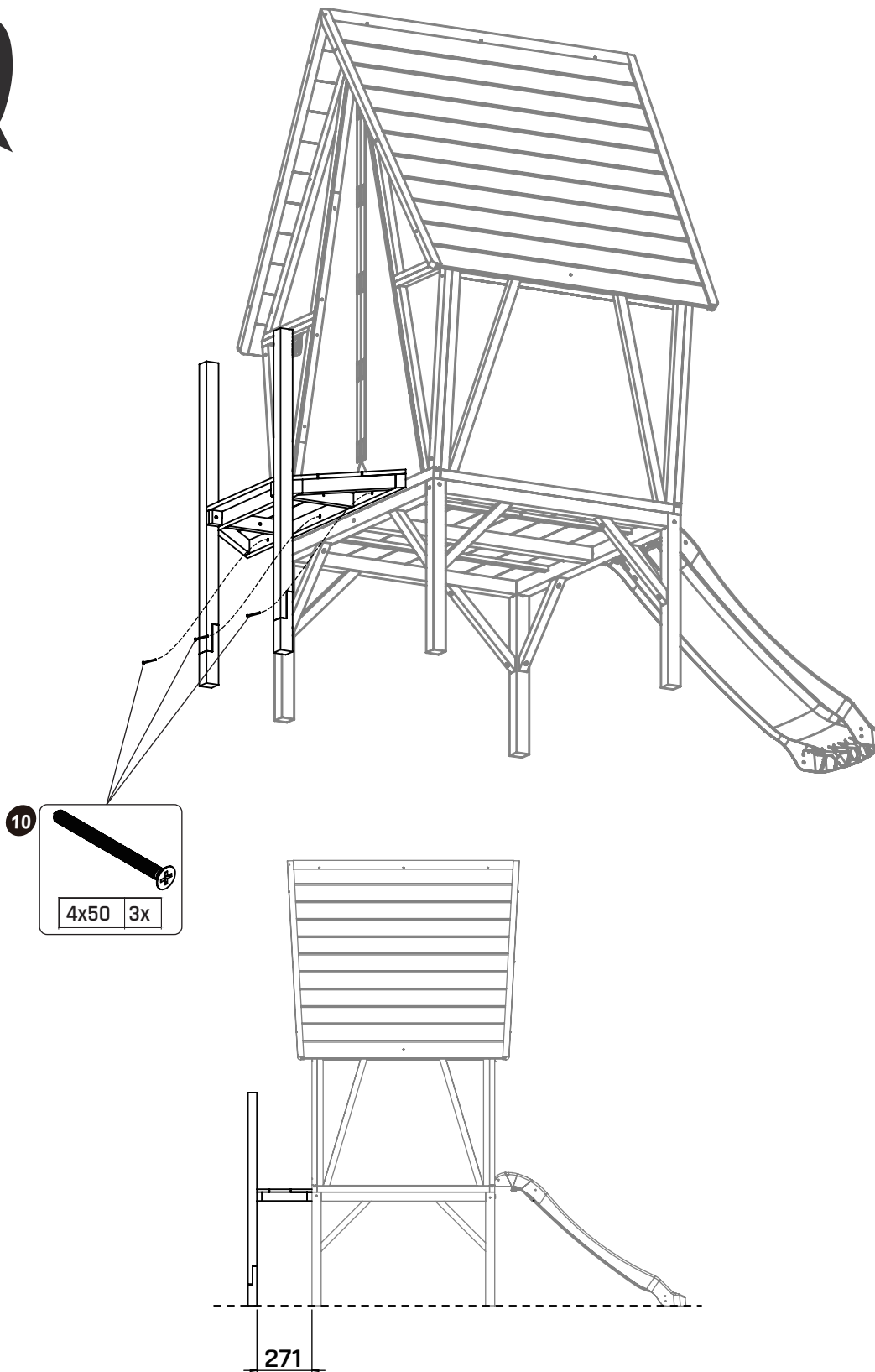
11



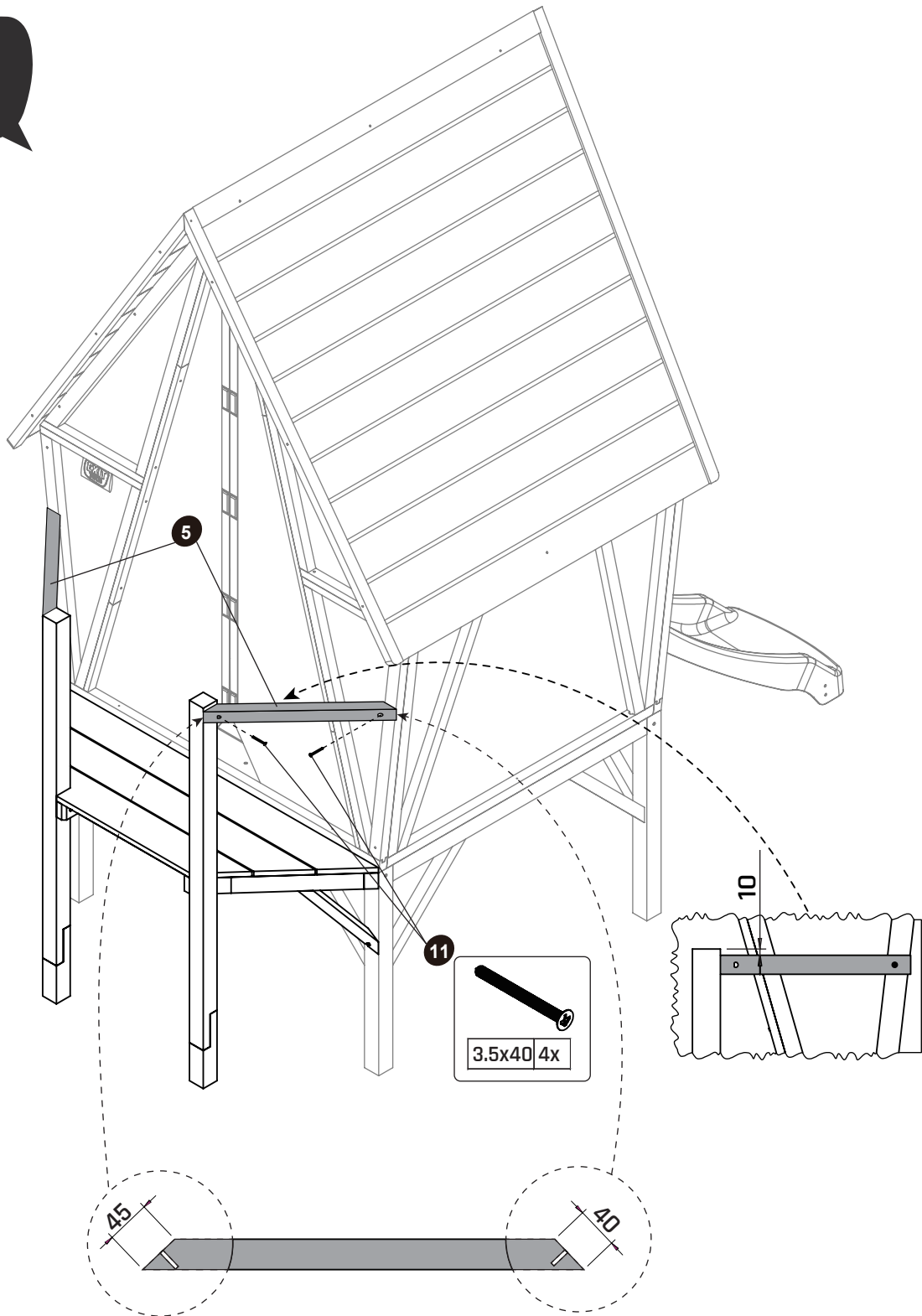
Φ4x70 2x



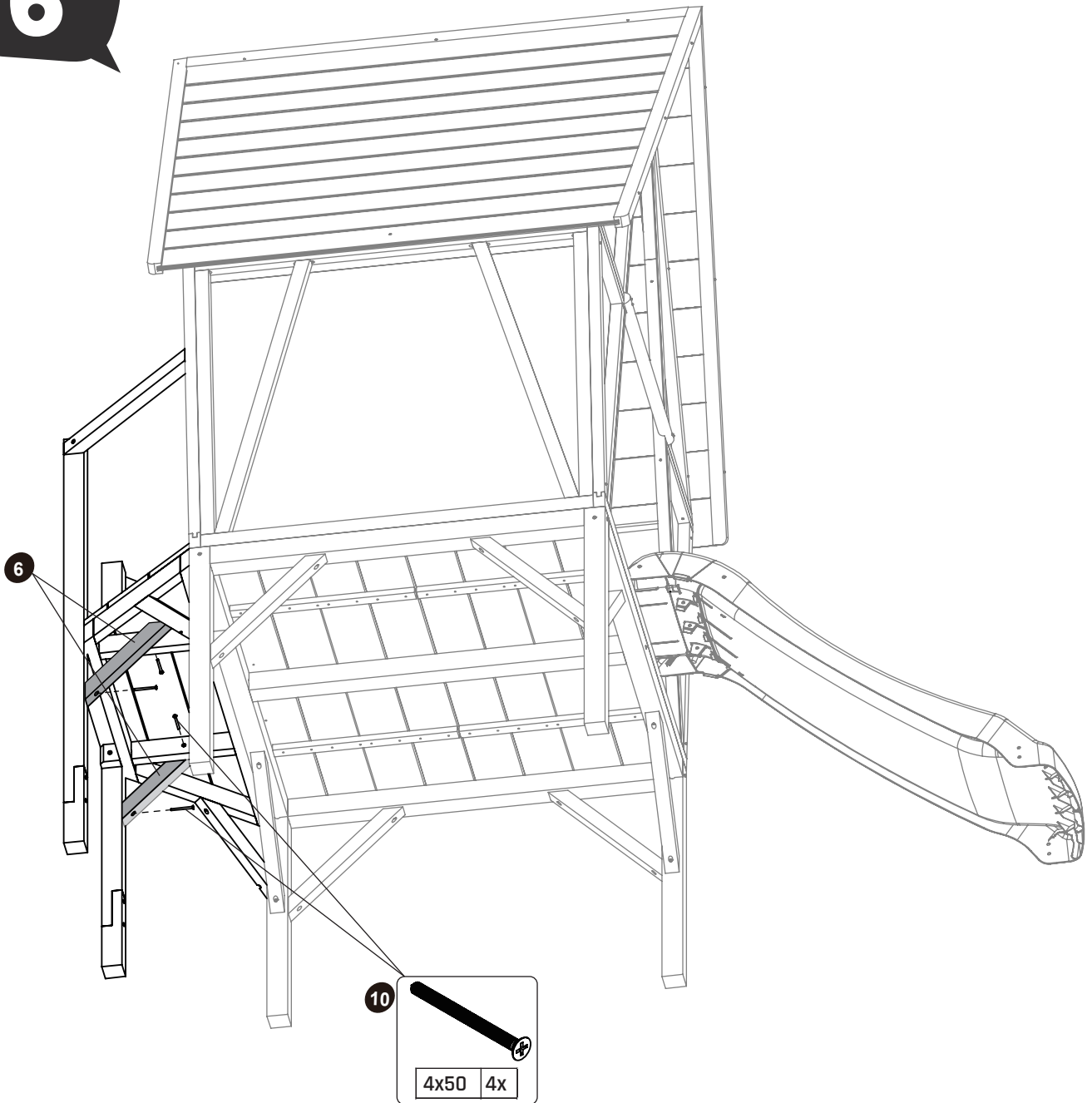
4



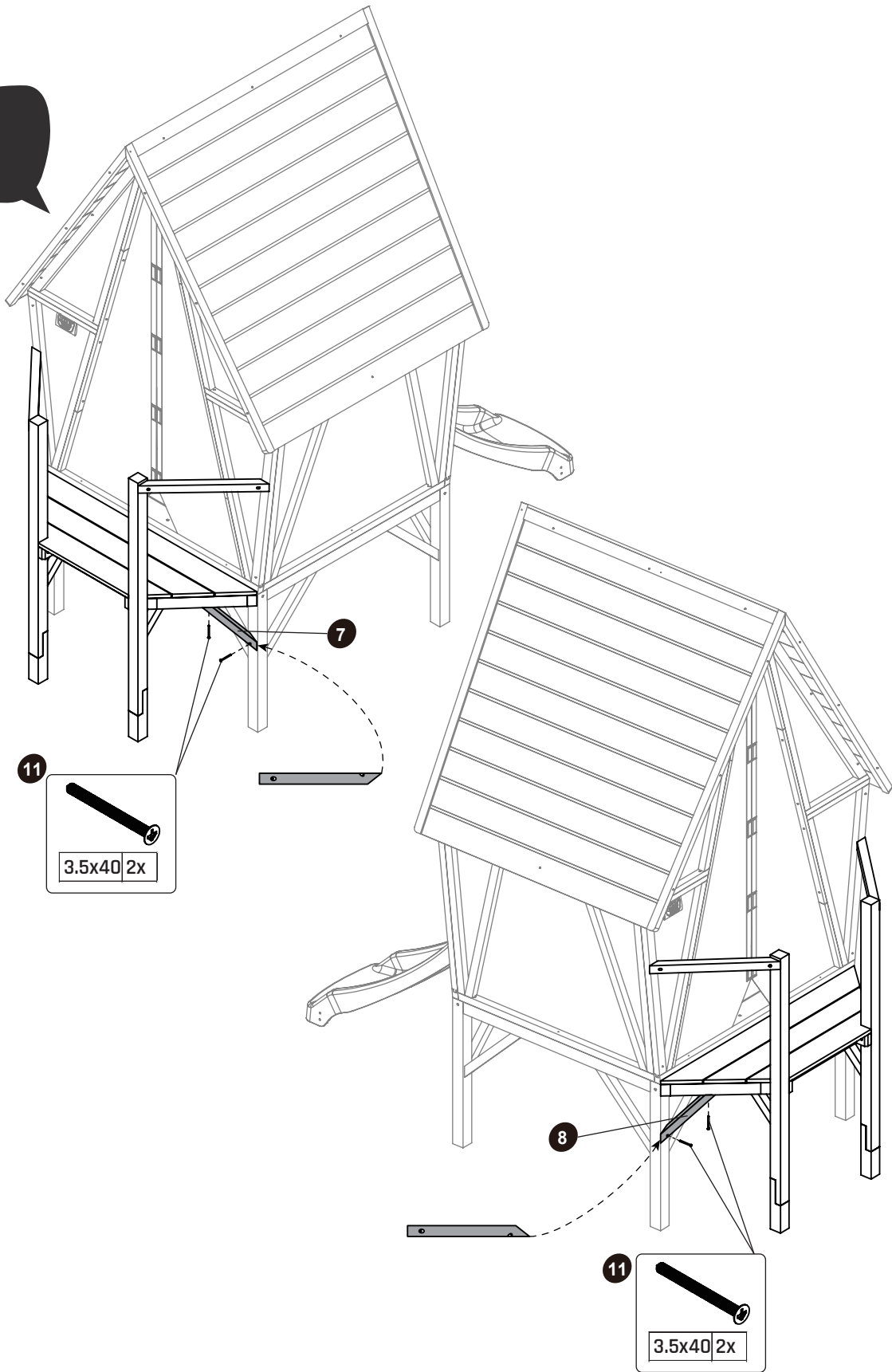
5



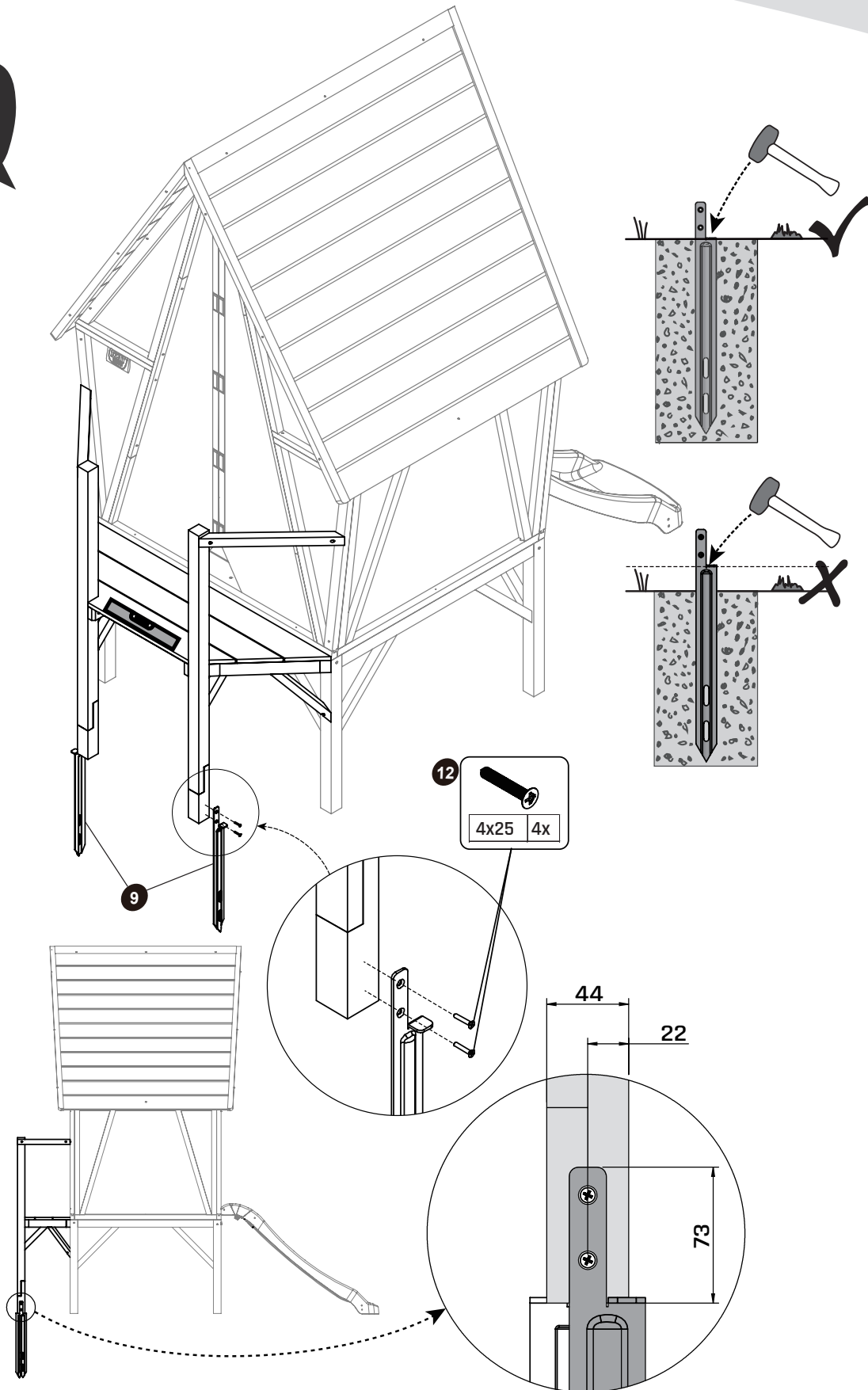
6



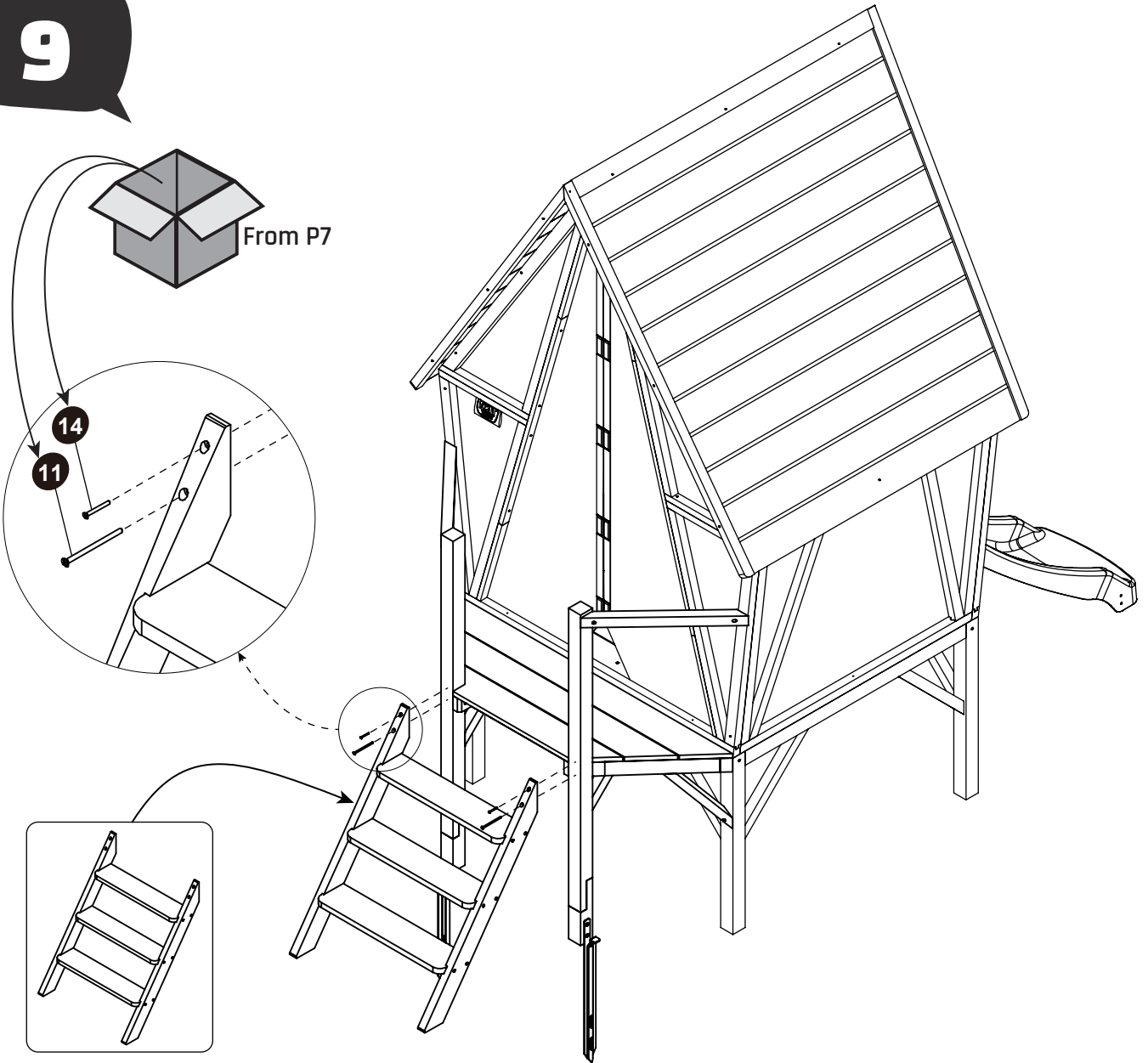
7



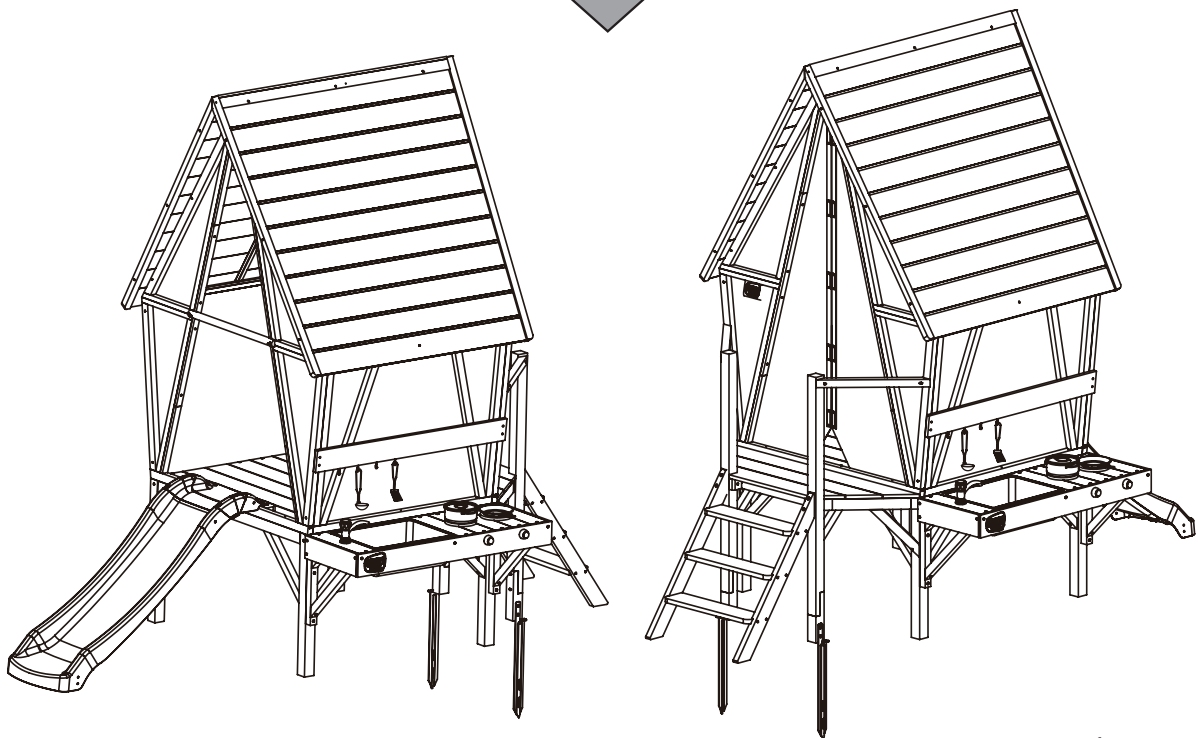
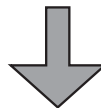
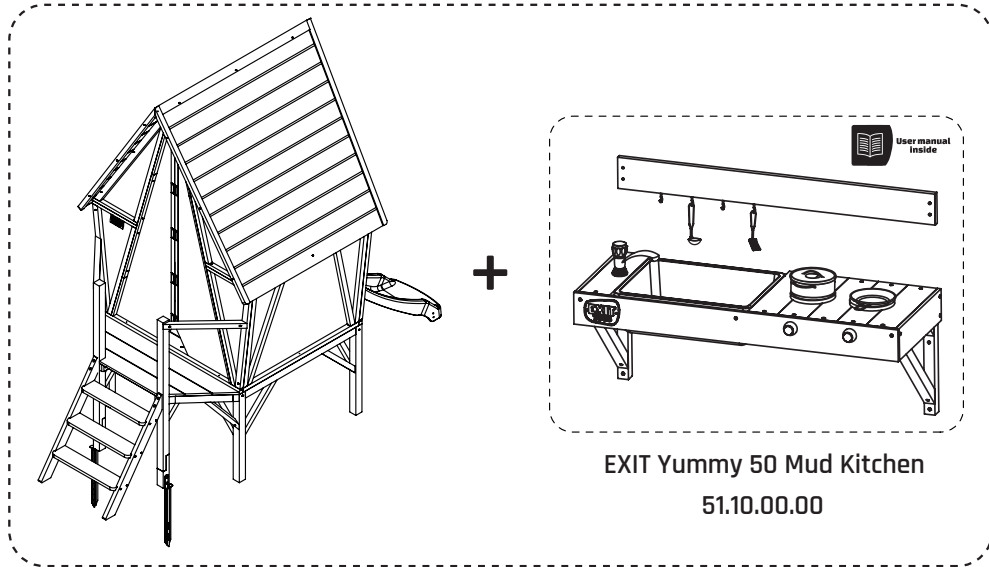
8



9



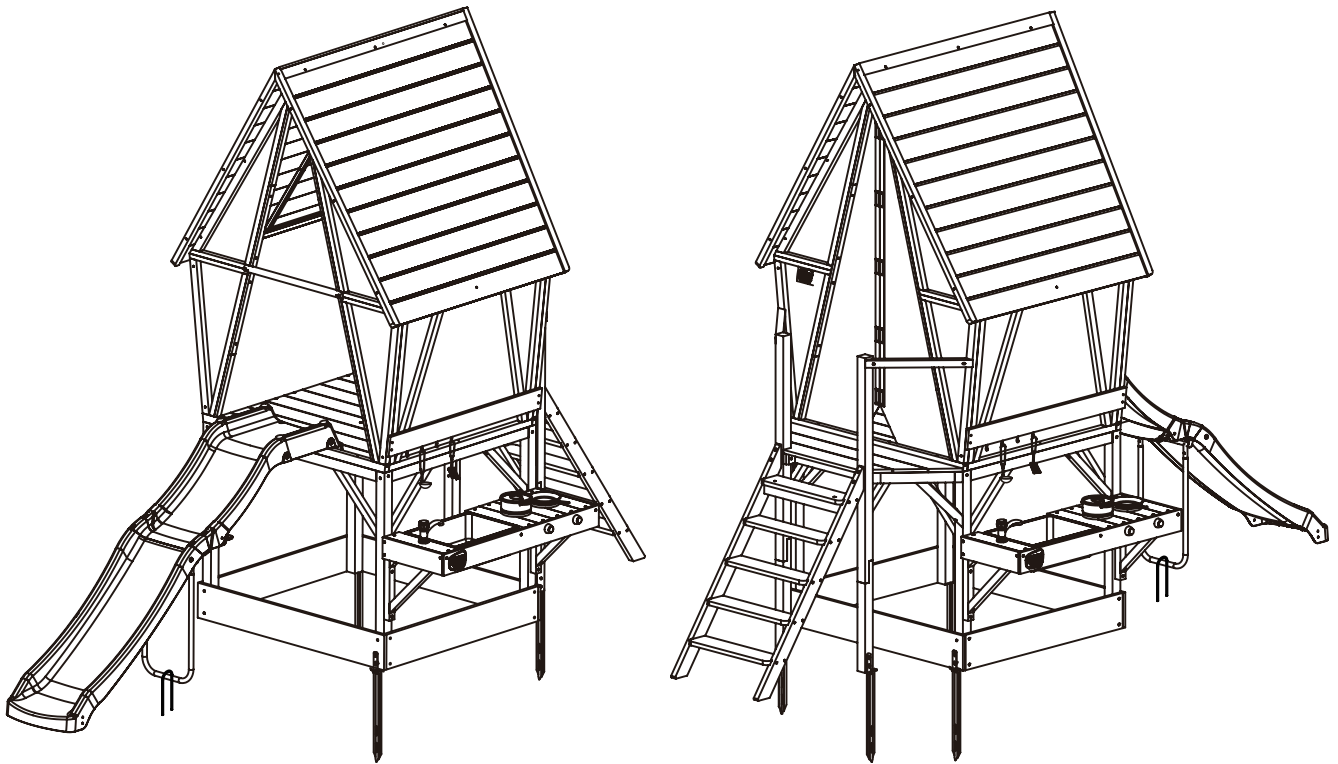
10



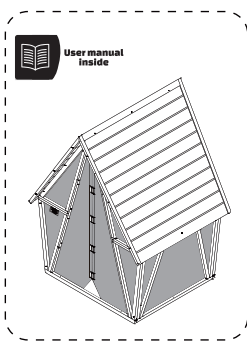
EXIT Yuki 350 Playhouse

50.54.03.50

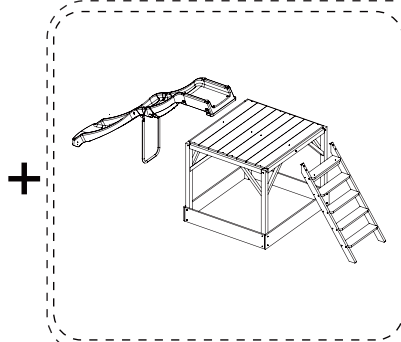




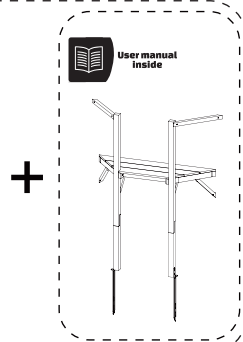
EXIT Yuki 550 Playhouse
50.54.05.50



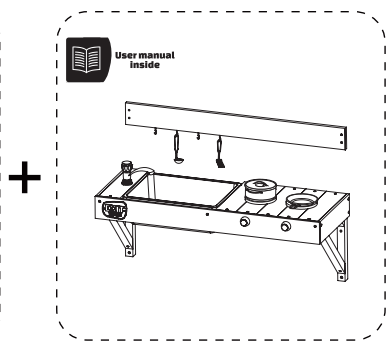
EXIT Yuki 100 Playhouse
50.54.01.00



EXIT Frame 500
50.90.05.00



EXIT Yuki Balcony
Frame 350 / 550
50.90.54.00

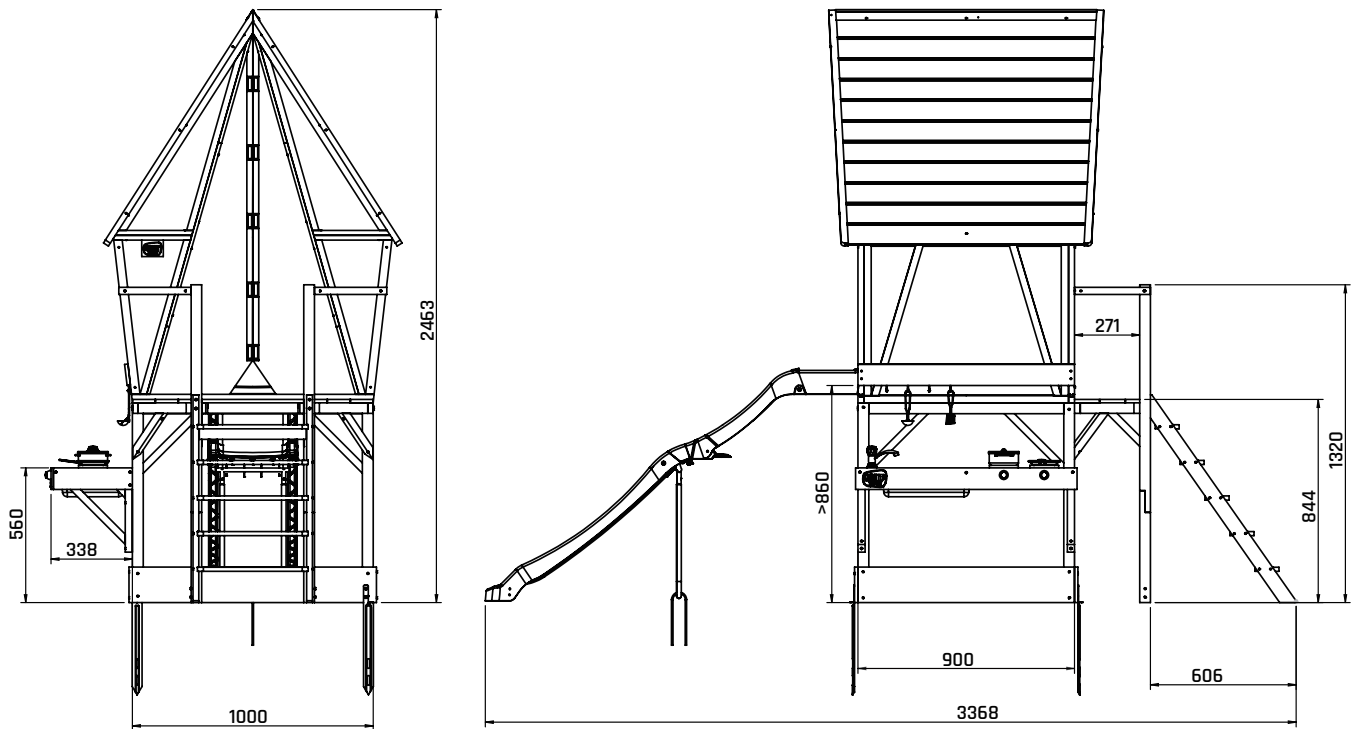


EXIT Yummy 50 Mud Kitchen
51.10.00.00

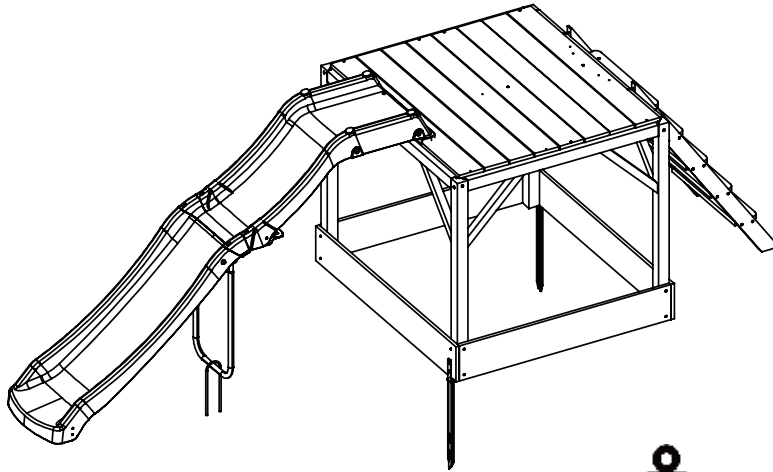
EXIT Yuki 550 Playhouse

50.54.05.50

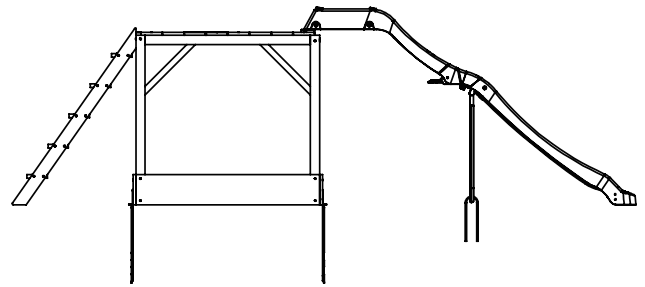
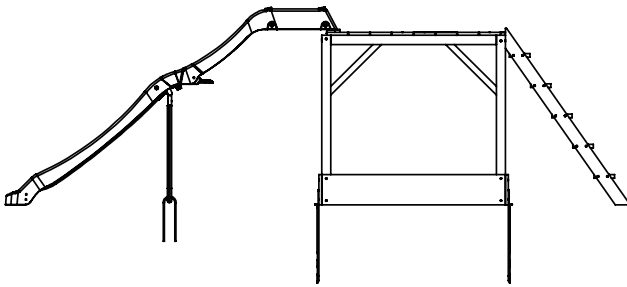
Unit: mm



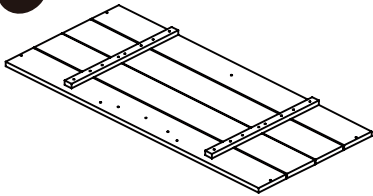
EXIT Frame 500
50.90.05.00



 **22.5kg**

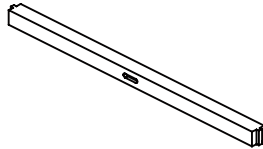


1



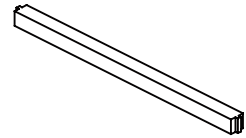
68.70.40.01 | 2x

2



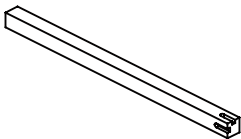
68.70.40.02 | 2x

3



68.70.40.03 | 3x

4



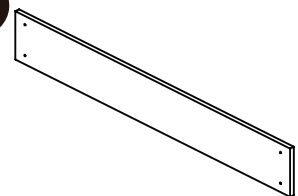
68.70.50.01 | 4x

5



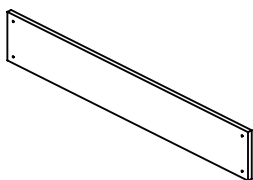
68.70.40.04 | 8x

6



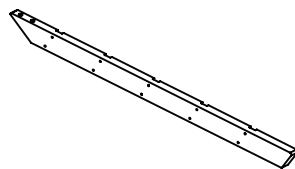
68.70.50.02 | 2x

7



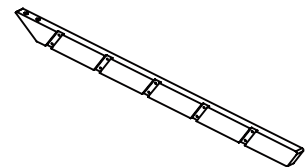
68.70.50.03 | 2x

8



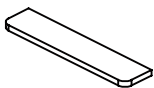
68.70.50.04 | 1x

9



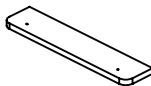
68.70.50.05 | 1x *

10



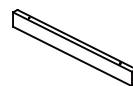
68.70.40.05 | 4x

11



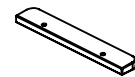
68.70.50.06 | 1x

12



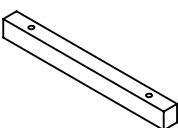
68.70.50.07 | 1x

13



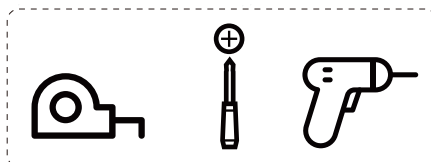
68.70.50.08 | 1x

19



68.70.50.09 | 1x

50.90.05.00



* BOX REFERENCE: XX.XX
PRODUCTION ID: XXX XXX



68.70.50.80



14

ϕ 4x70 12x



15

ϕ 4x50 6x



16

ϕ 3.5x40 24x



17

ϕ 3x35 44x

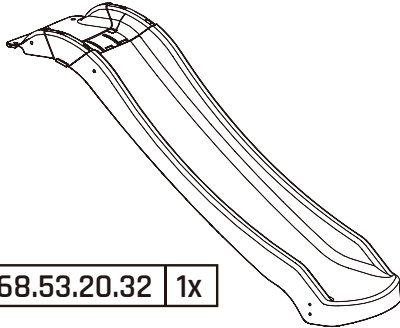


18

ϕ 3.5x30 4x

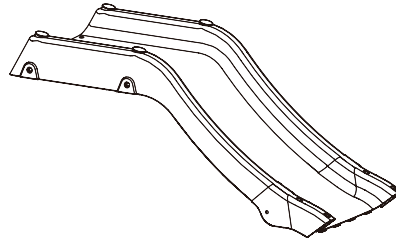
50.90.05.00

S1



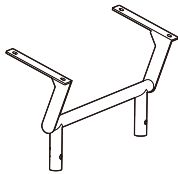
68.53.20.32 1x

S2



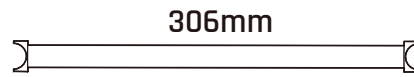
68.53.20.31 1x

S3



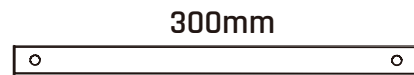
68.53.20.33 1x

S4



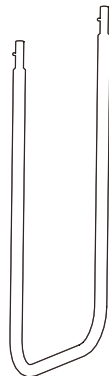
68.53.20.35 2x

S5



68.53.20.36 2x

S6



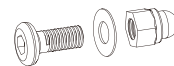
68.53.20.34 1x

S7



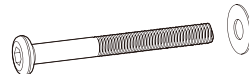
68.53.20.37 1x

S8



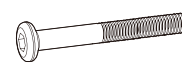
M6x15 9x

S9



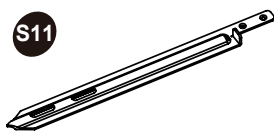
M6x58 4x

S10



M6x50 2x

S11



52.99.01.00 2x

S12



M4.5x40 4x

52.99.02.00

T1



Tool 1x

T2



Tool 1x

T3



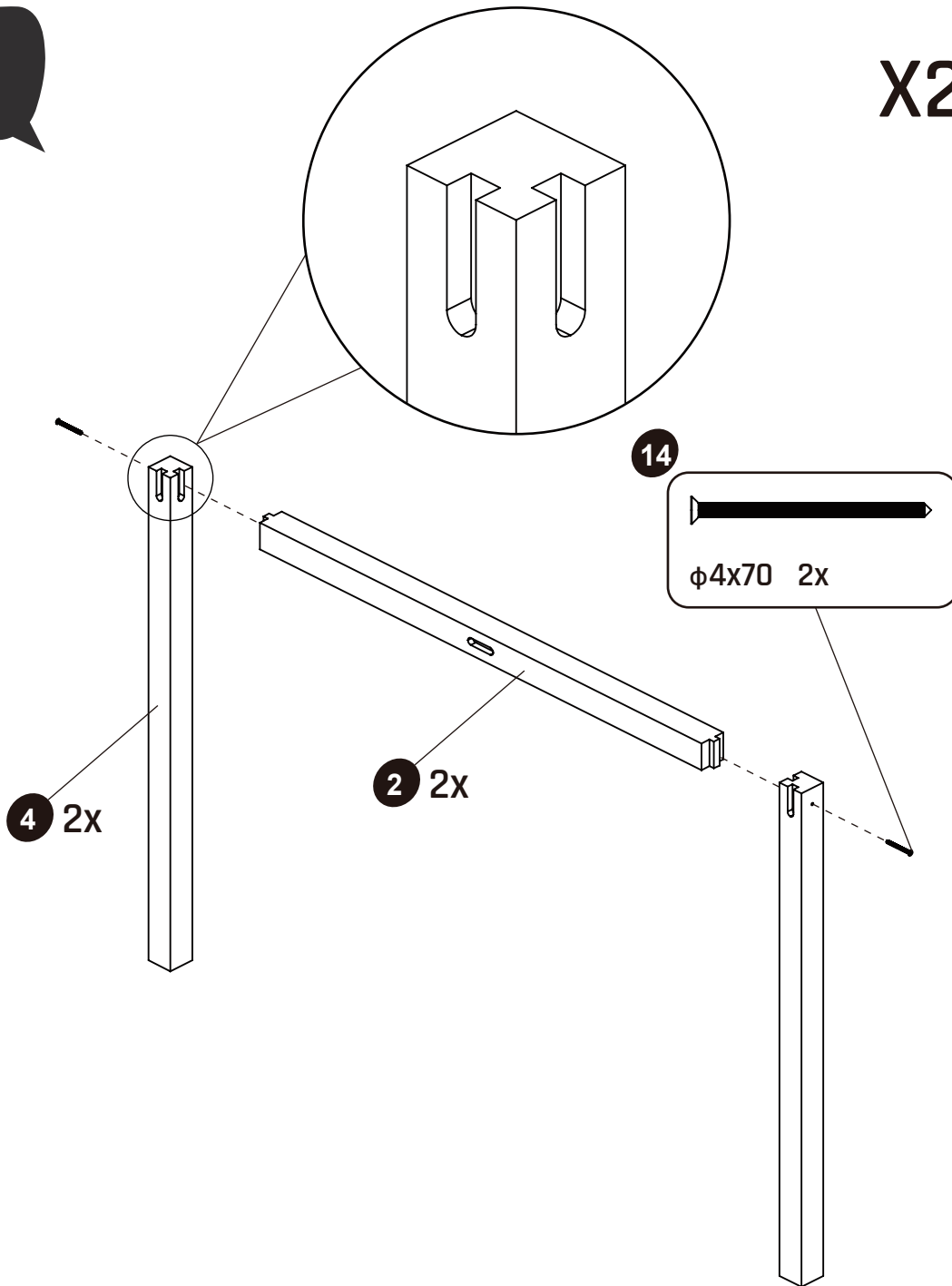
Tool 1x

68.70.50.85

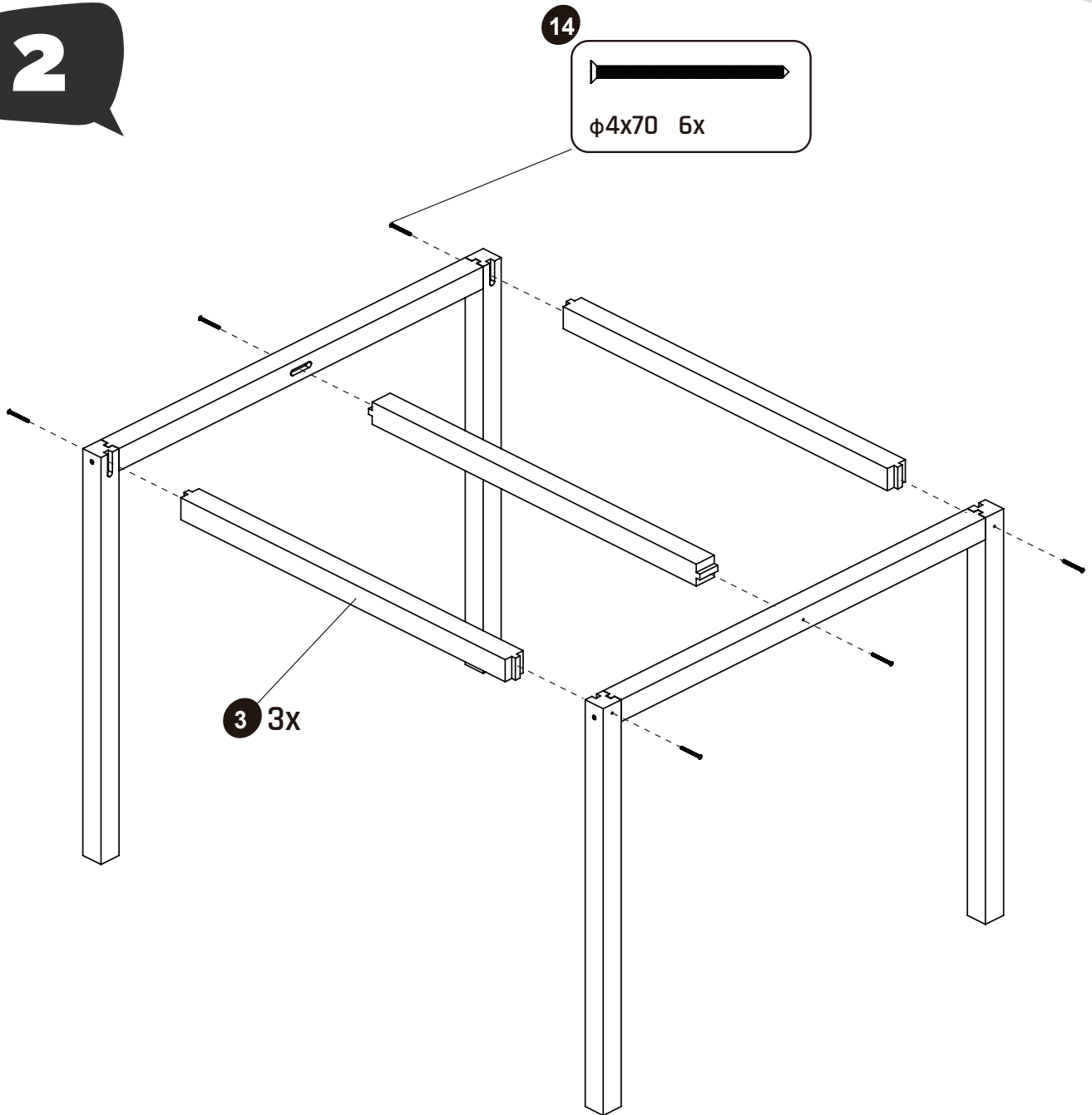
50.90.05.00

1

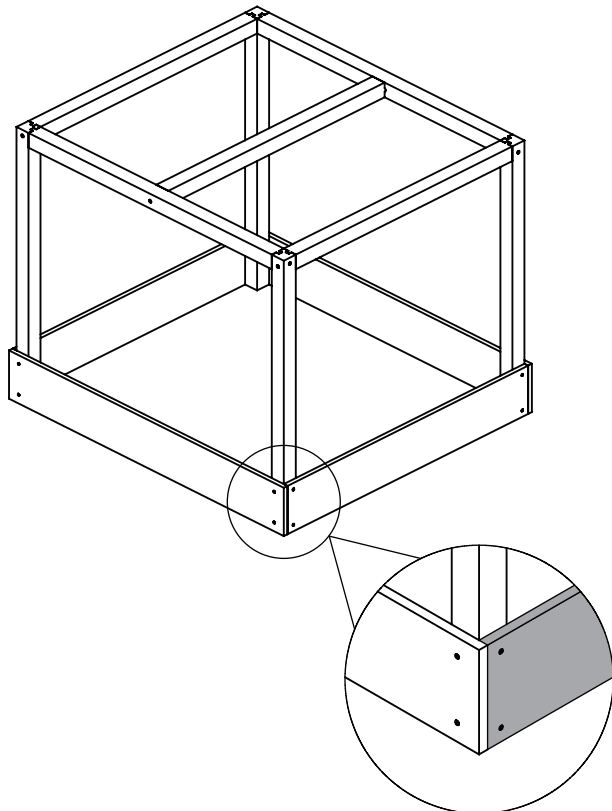
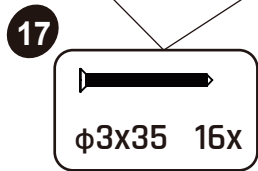
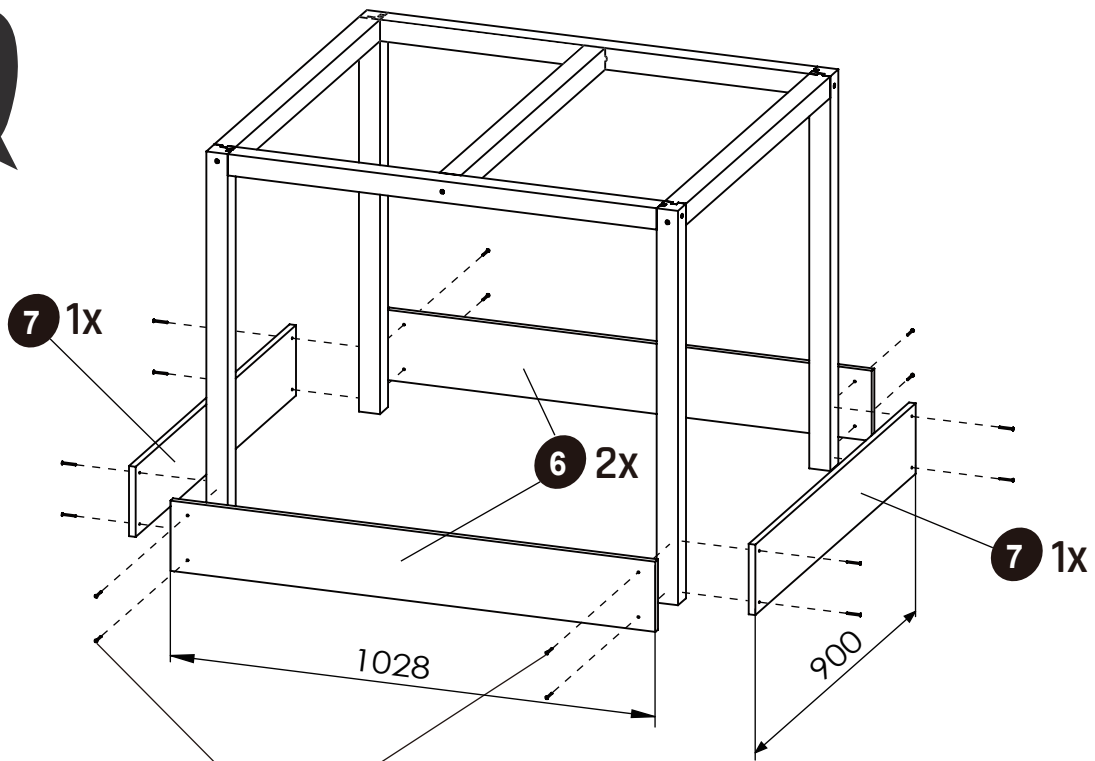
X2



2

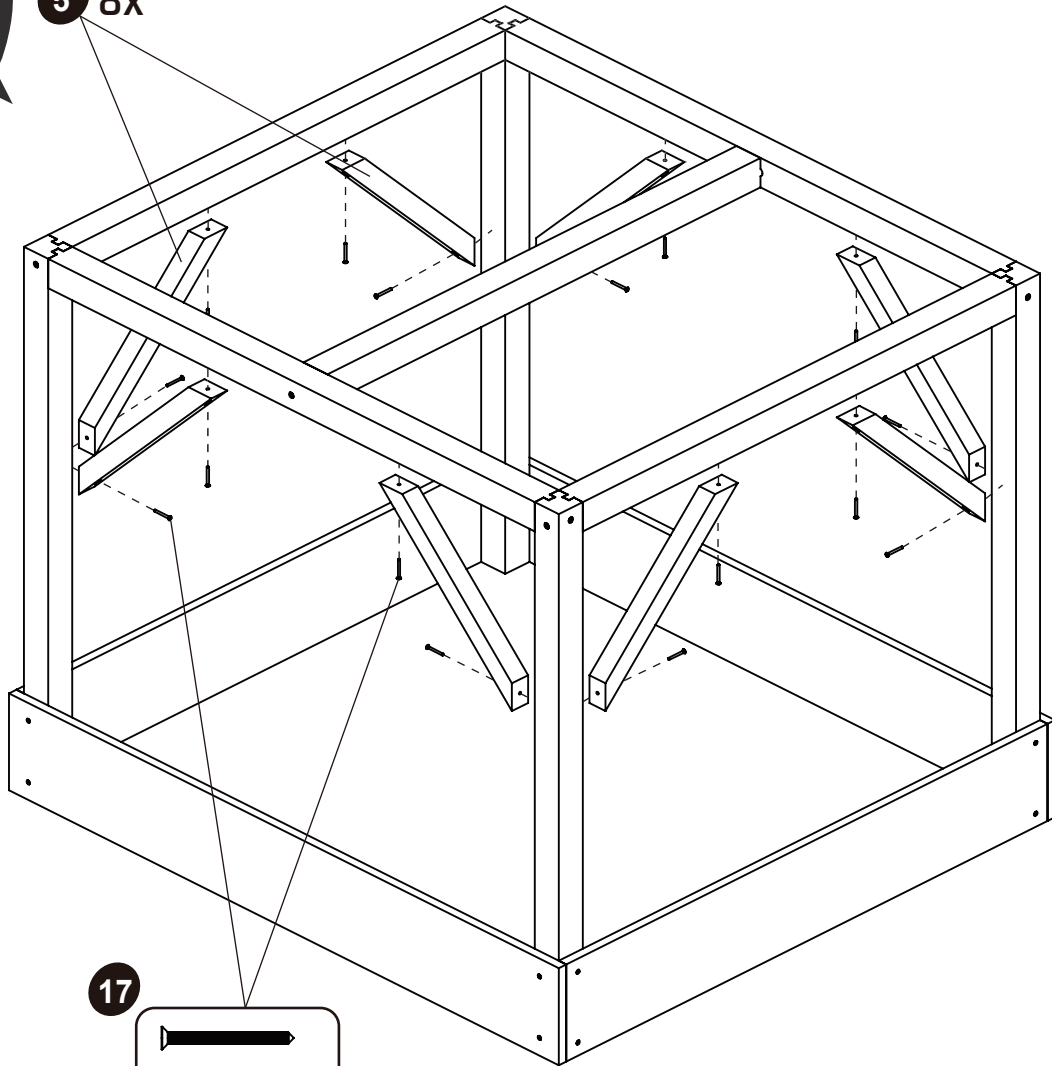


3



4

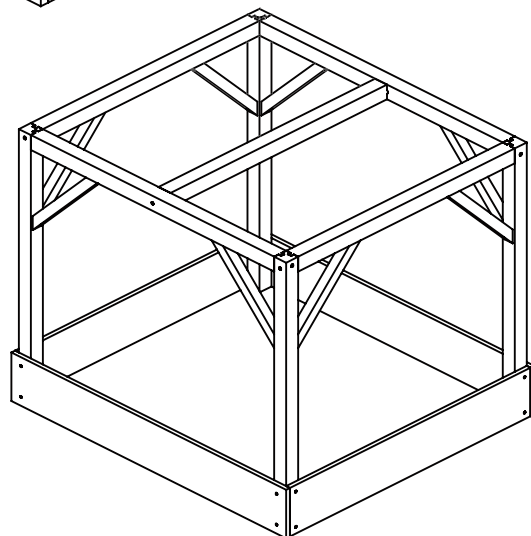
5 8x



17



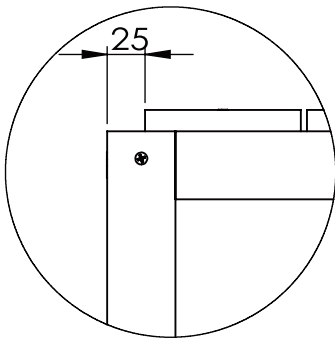
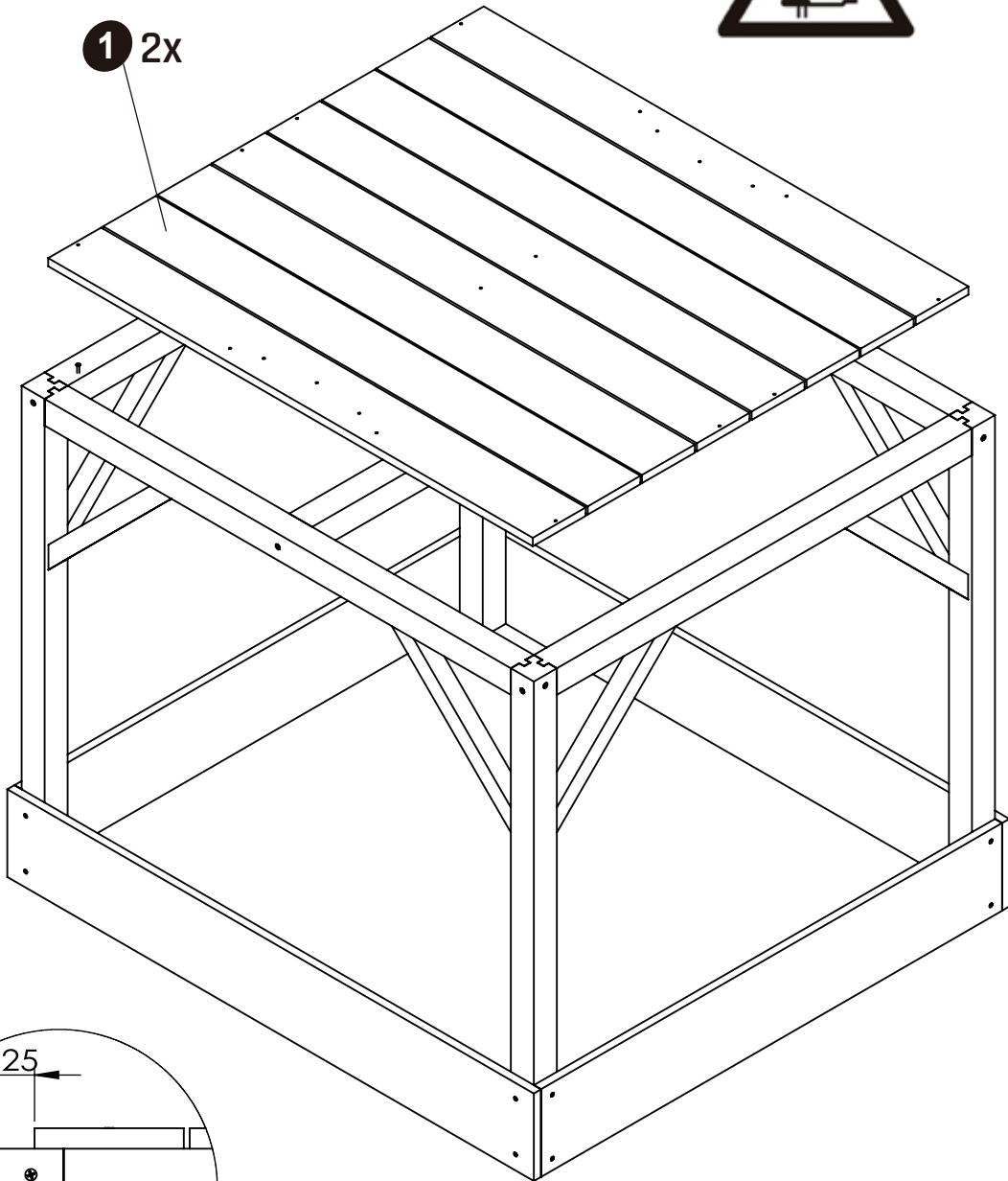
$\phi 3 \times 35$ 16x



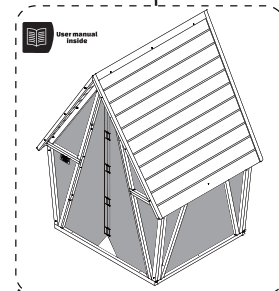
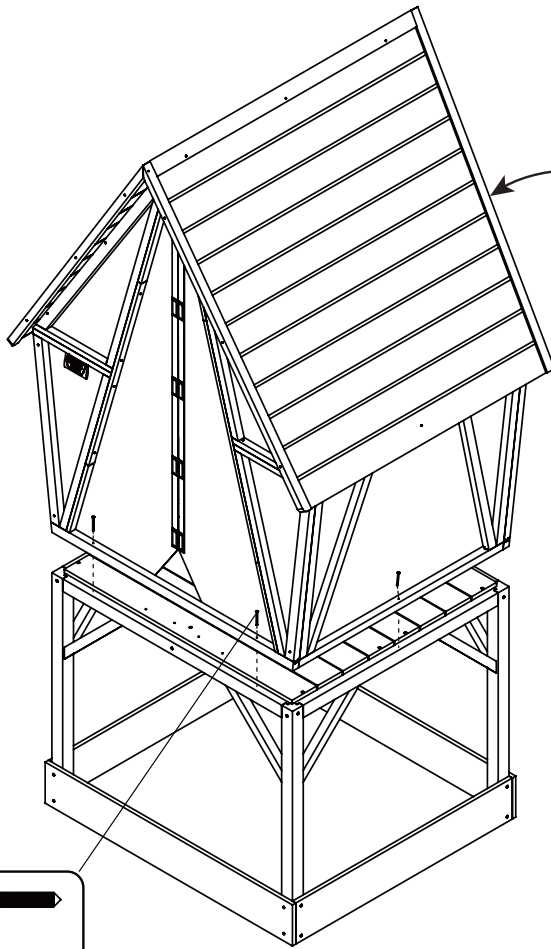
5



1 2x

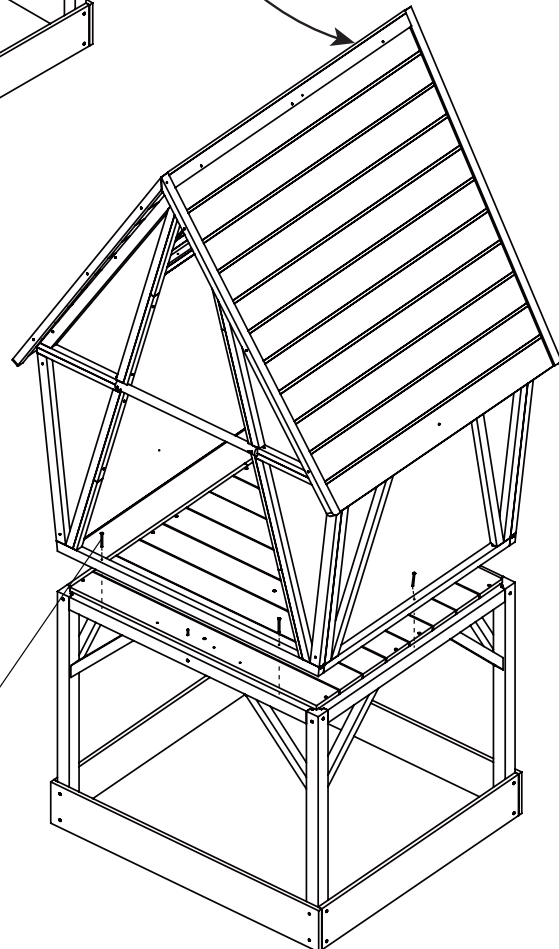
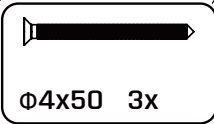


6

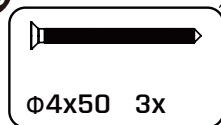


EXIT Yuki 100 Playhouse
50.54.01.00

15




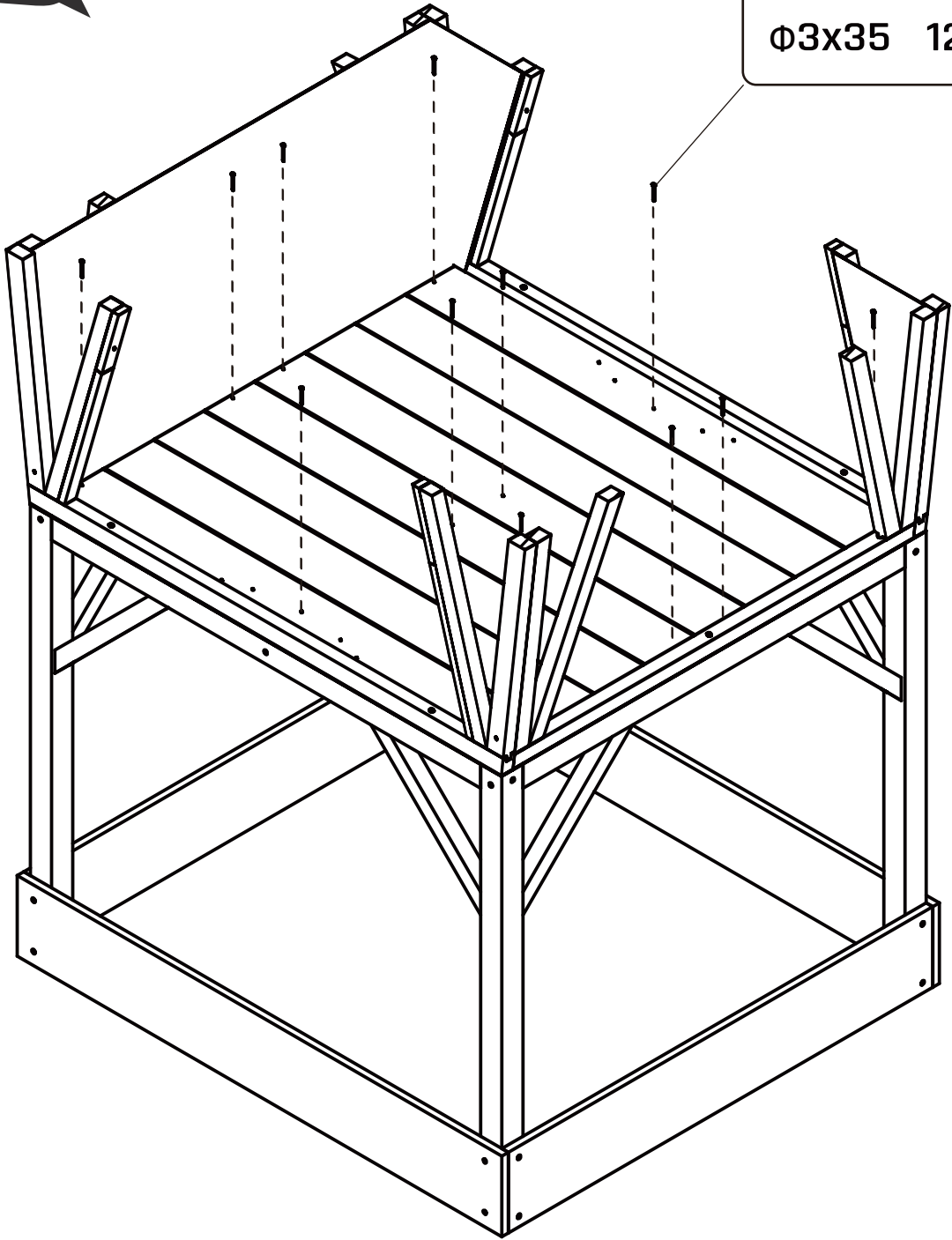
15



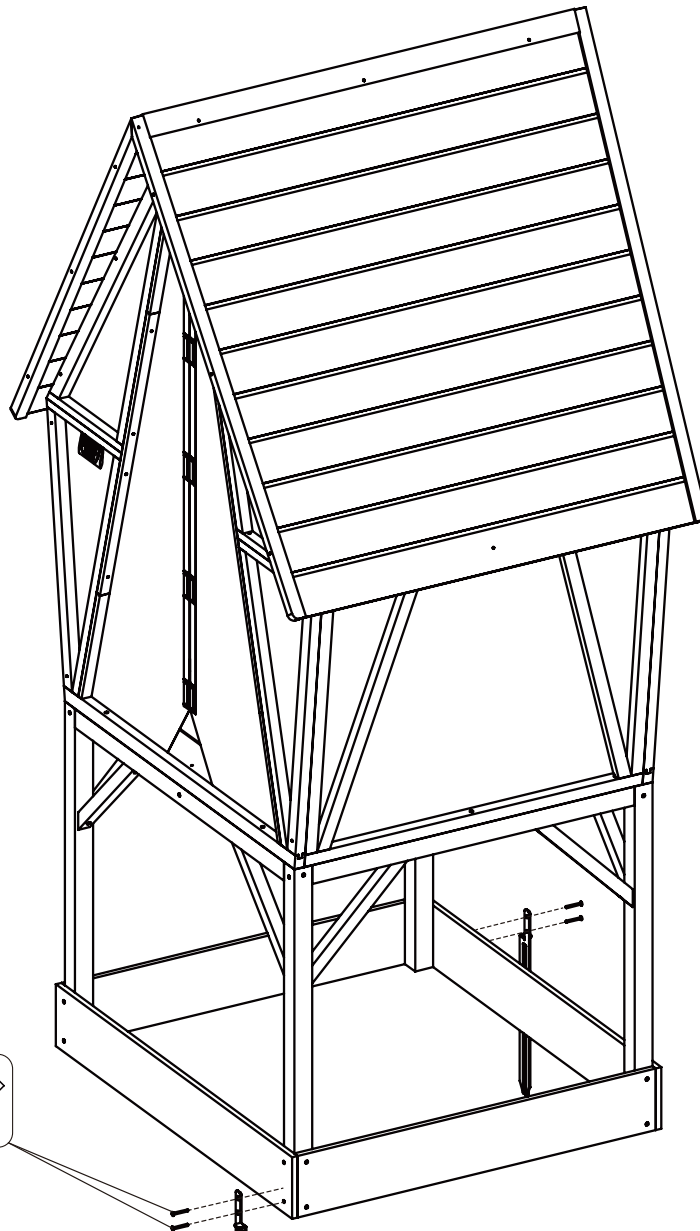
7

17


Φ3x35 12x



8

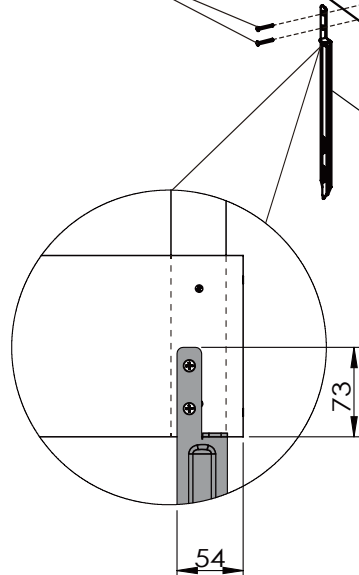


8b

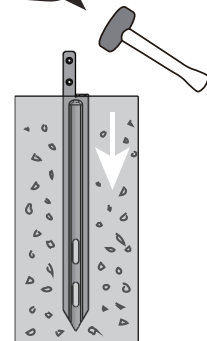
S12



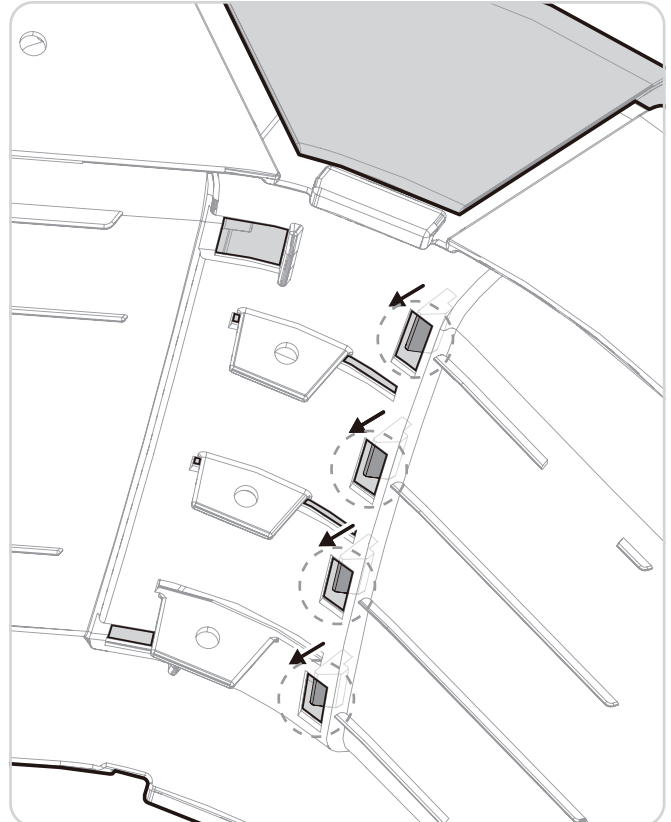
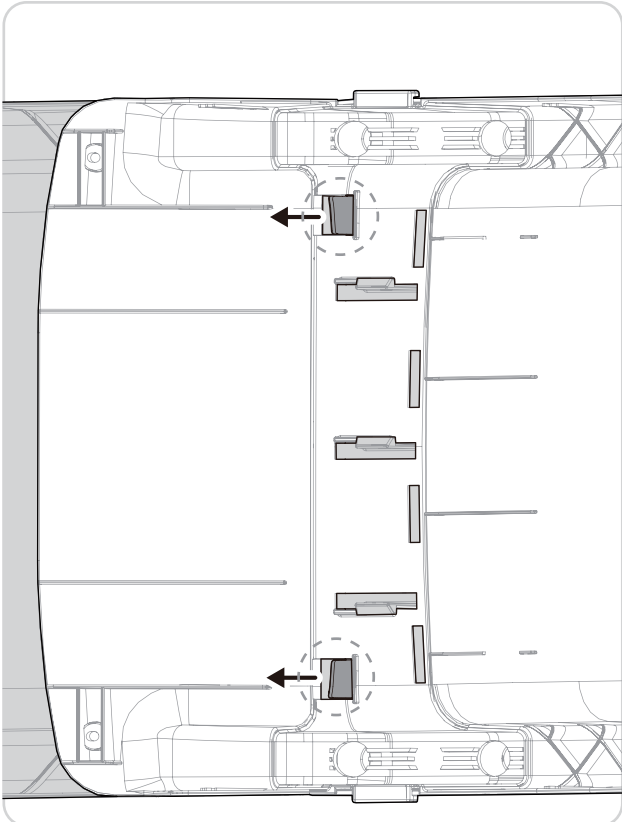
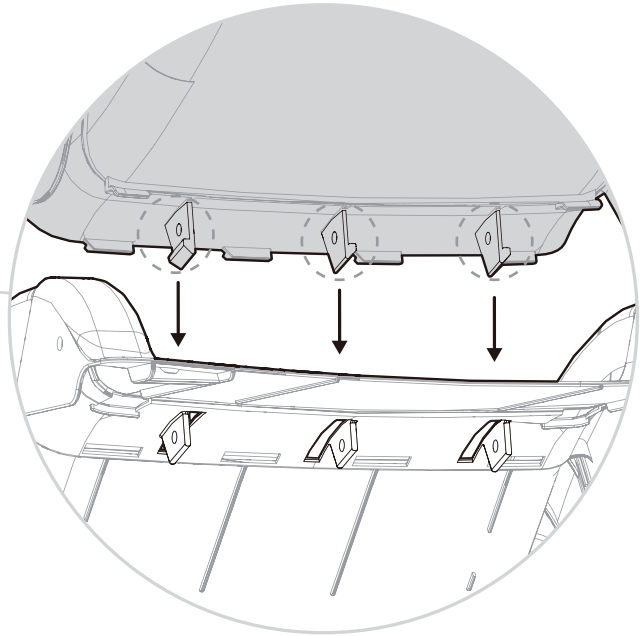
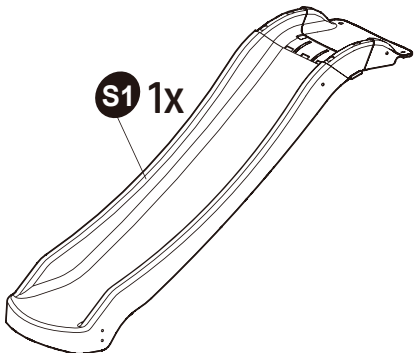
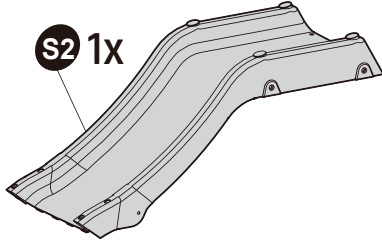
S11 2x



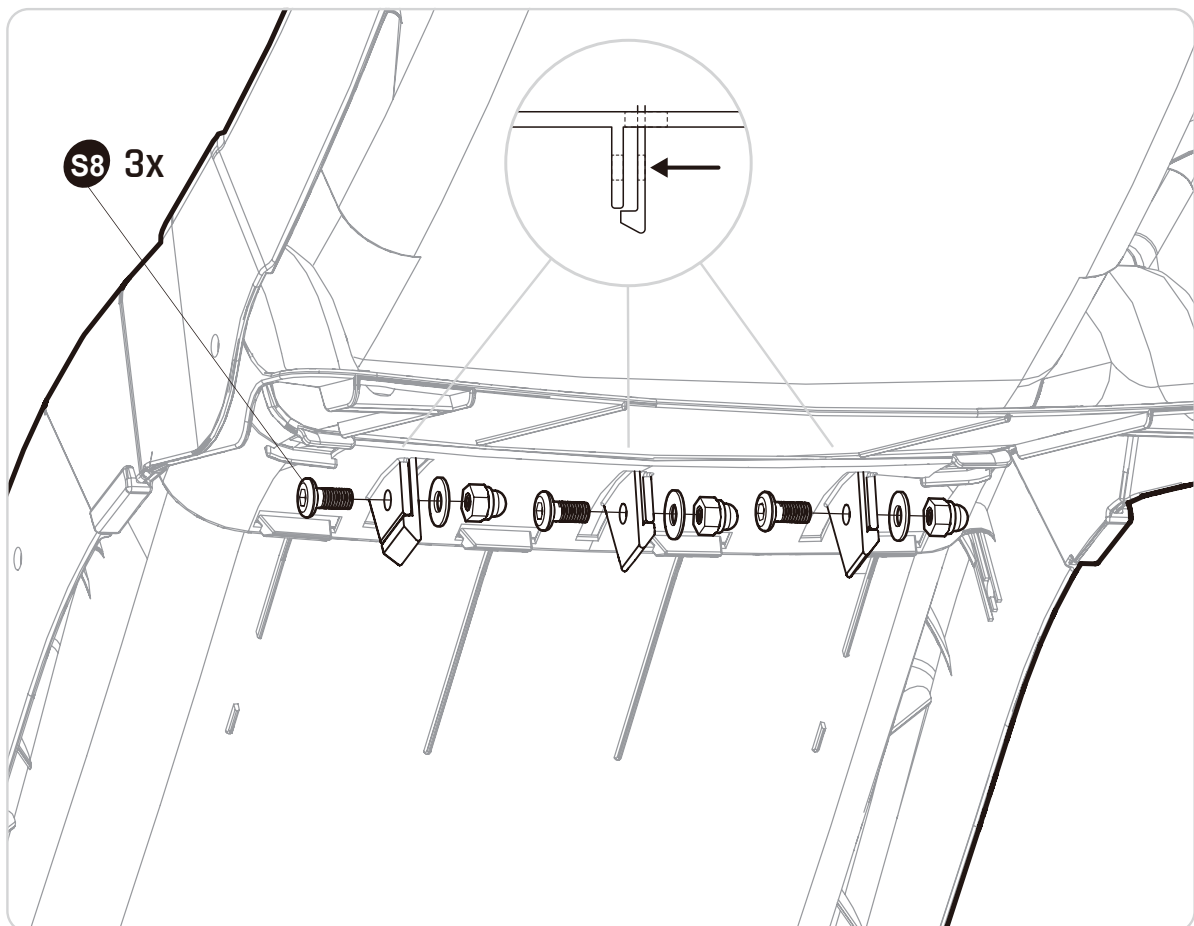
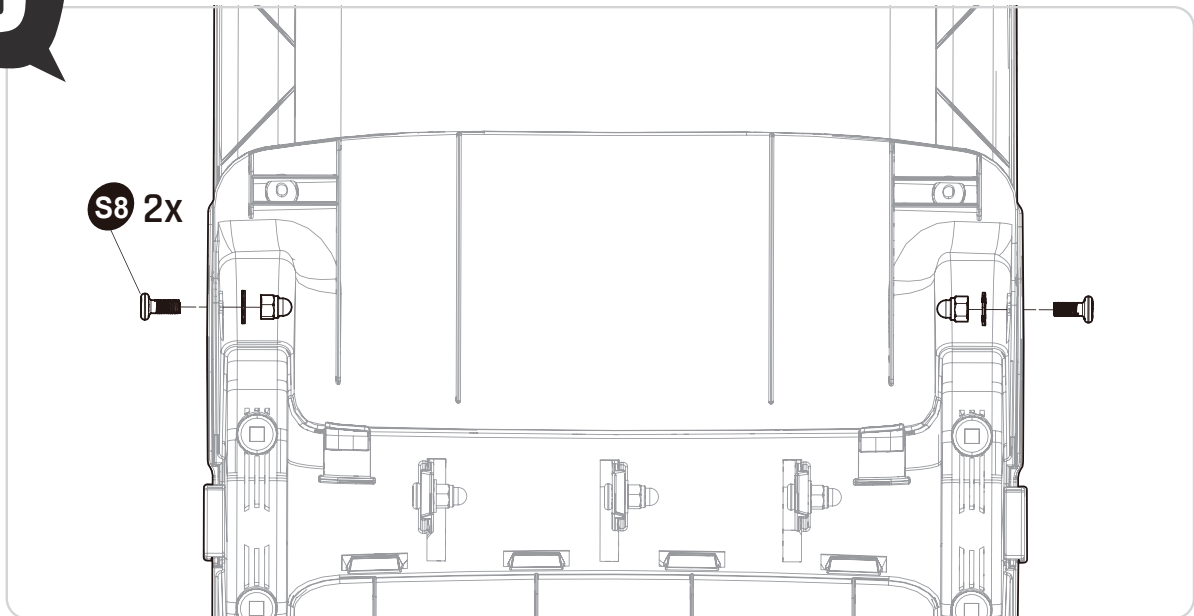
8a



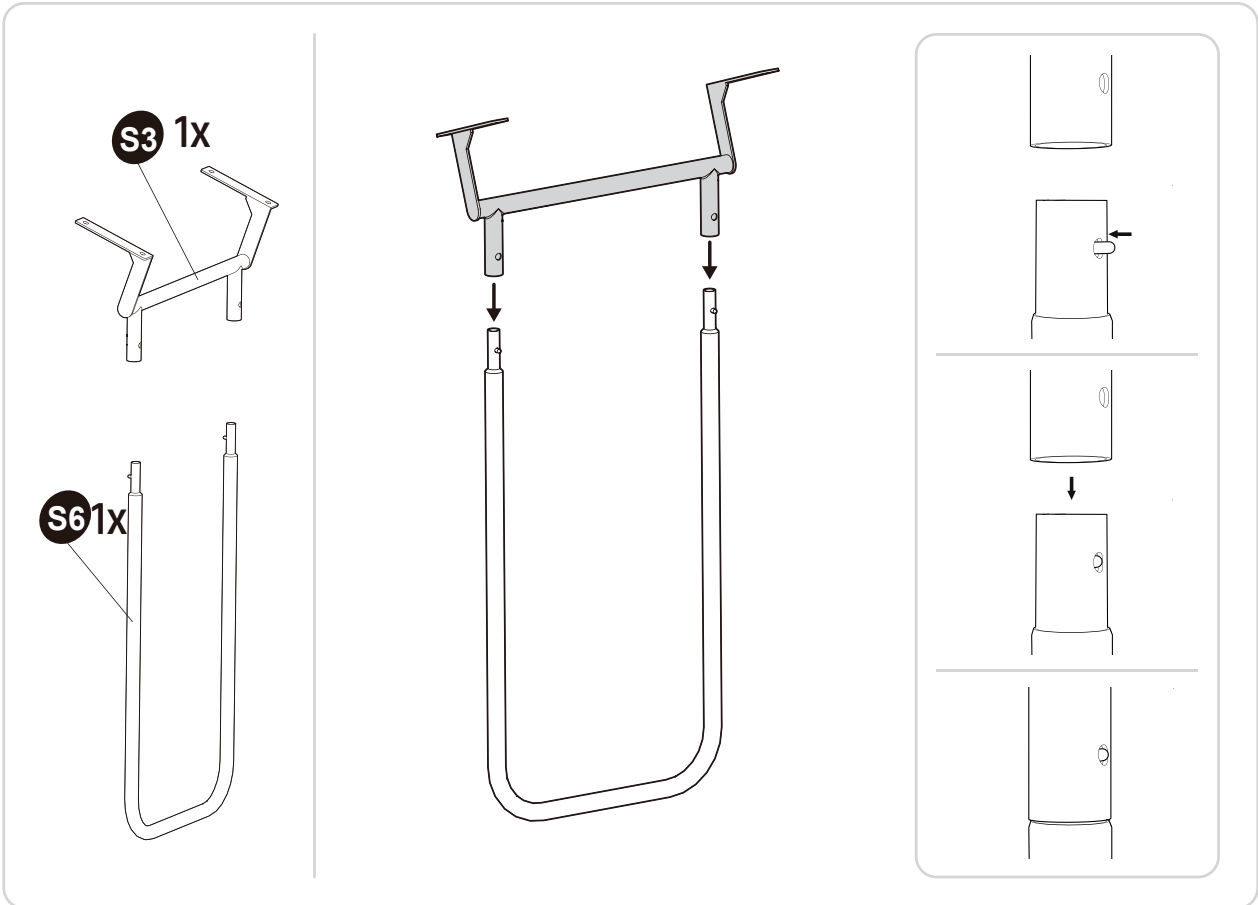
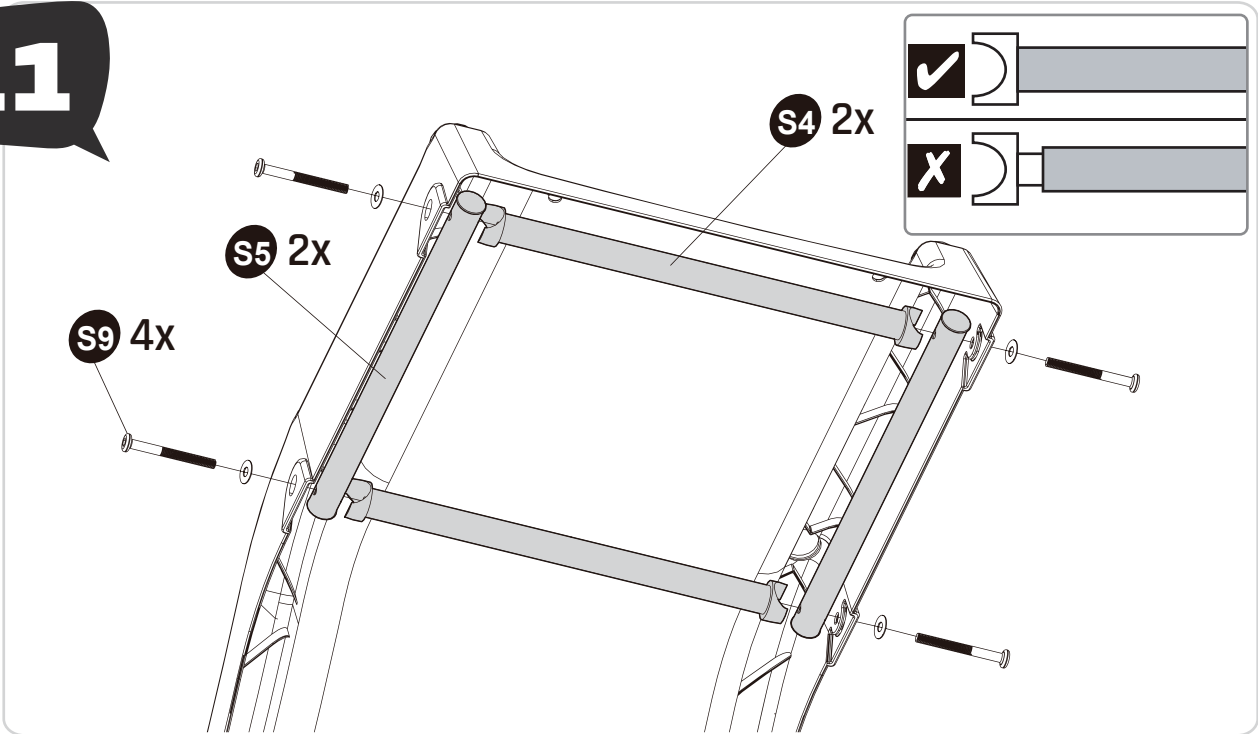
9

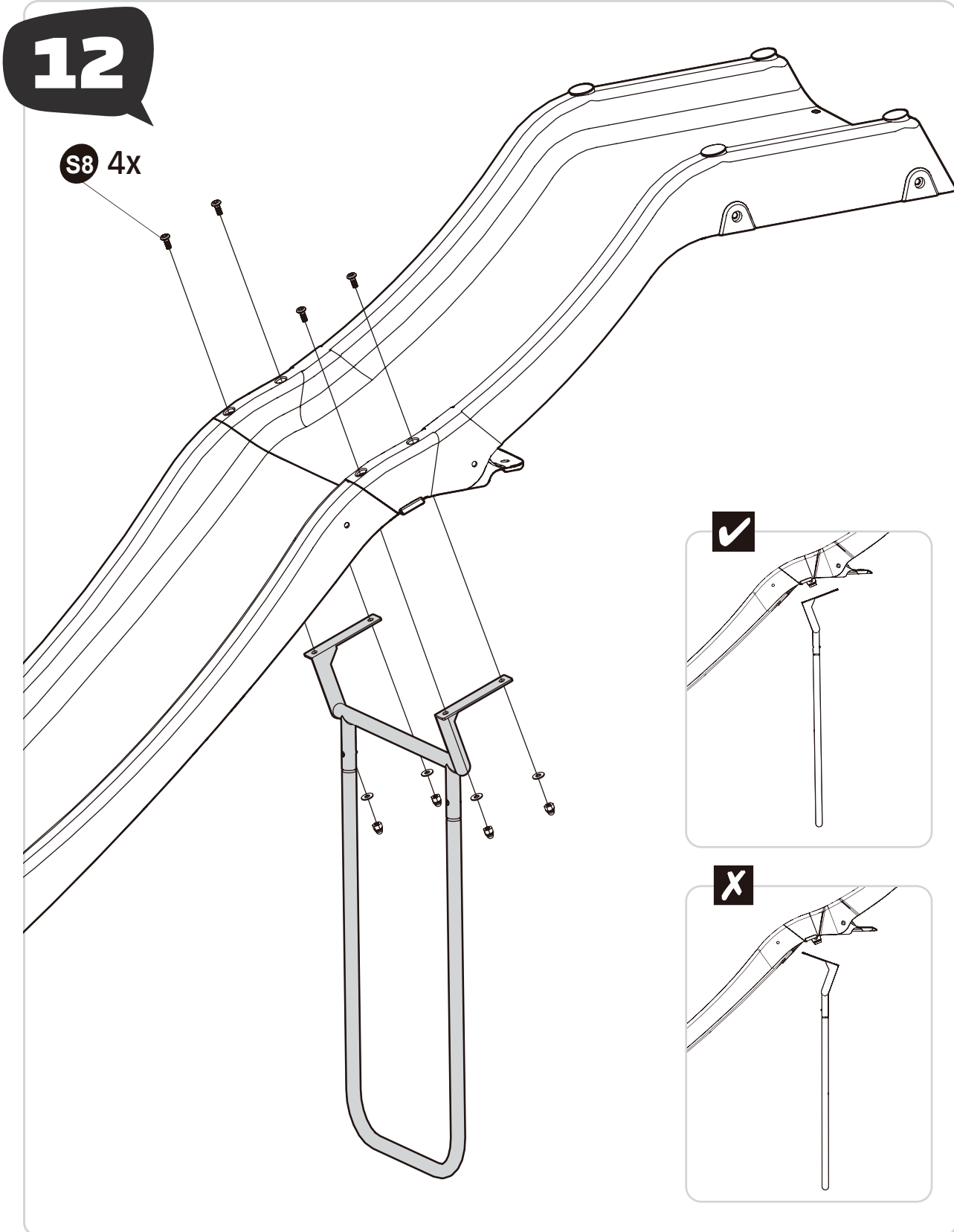


10



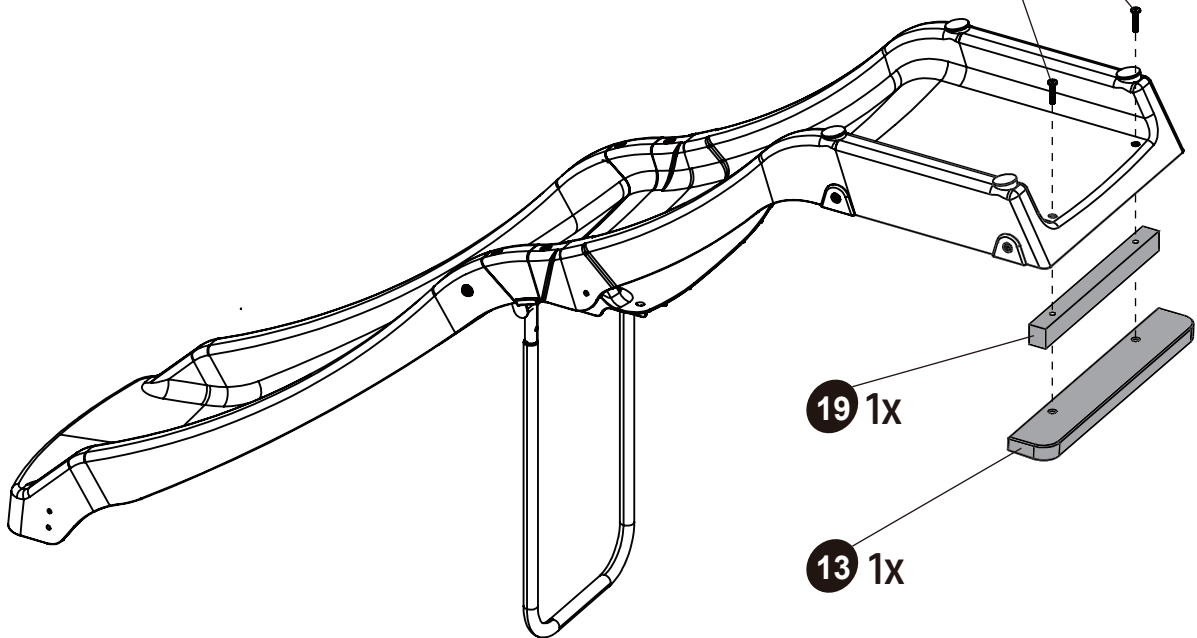
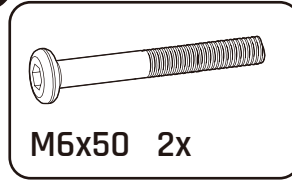
11



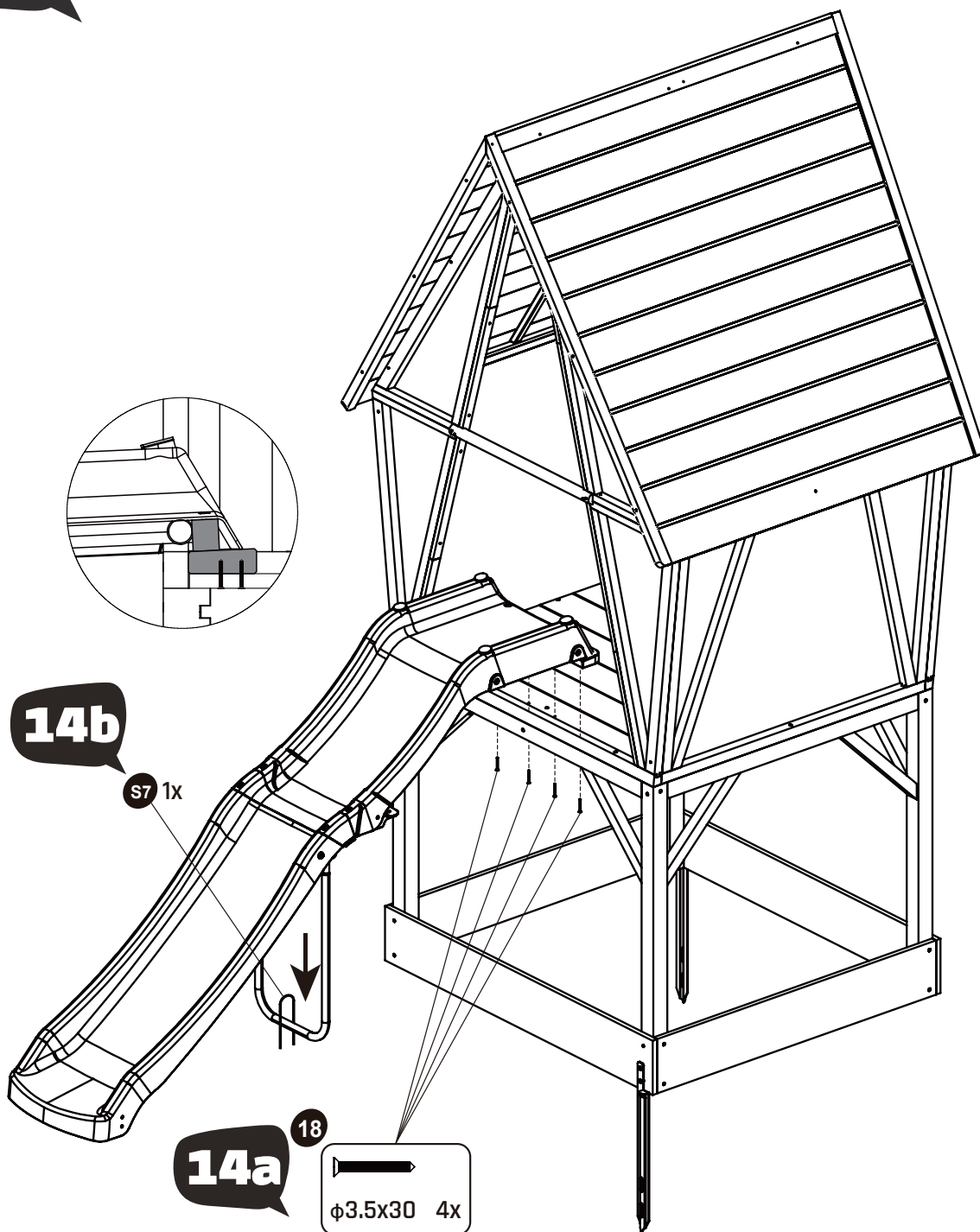


13

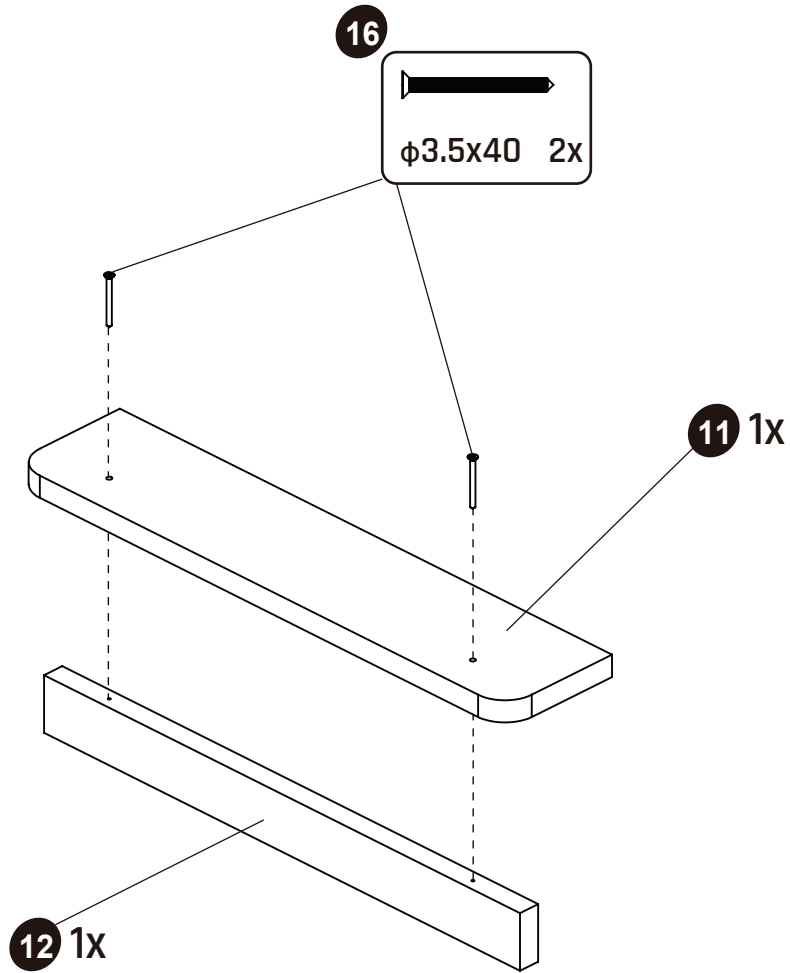
S10



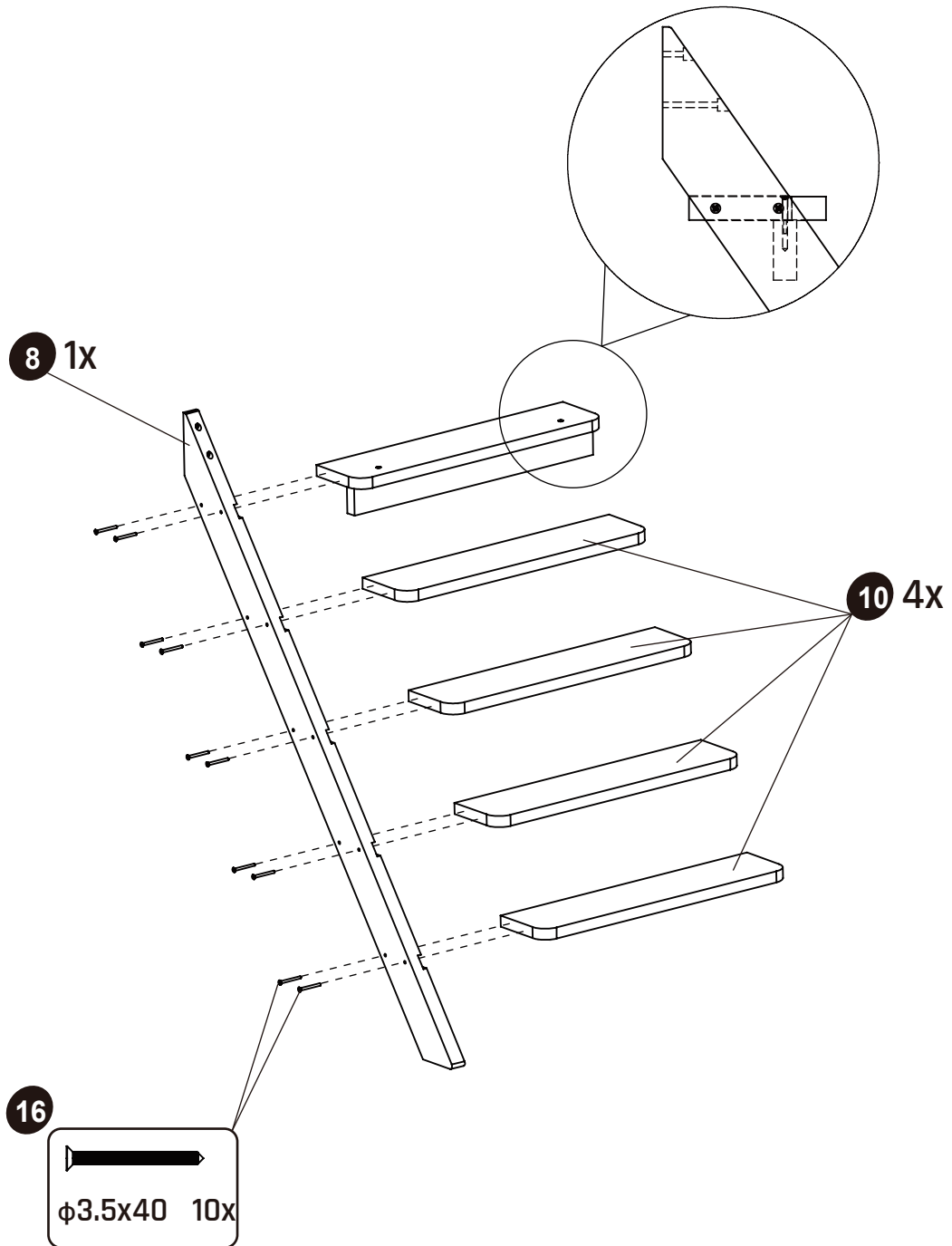
14



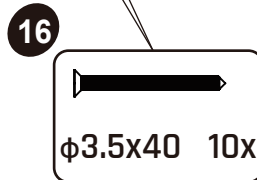
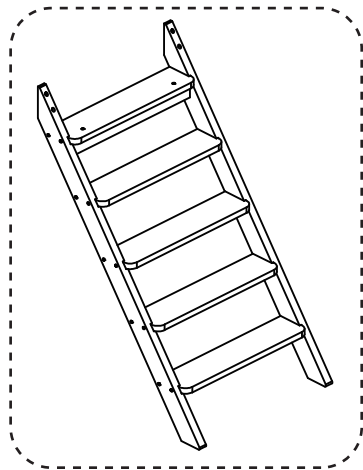
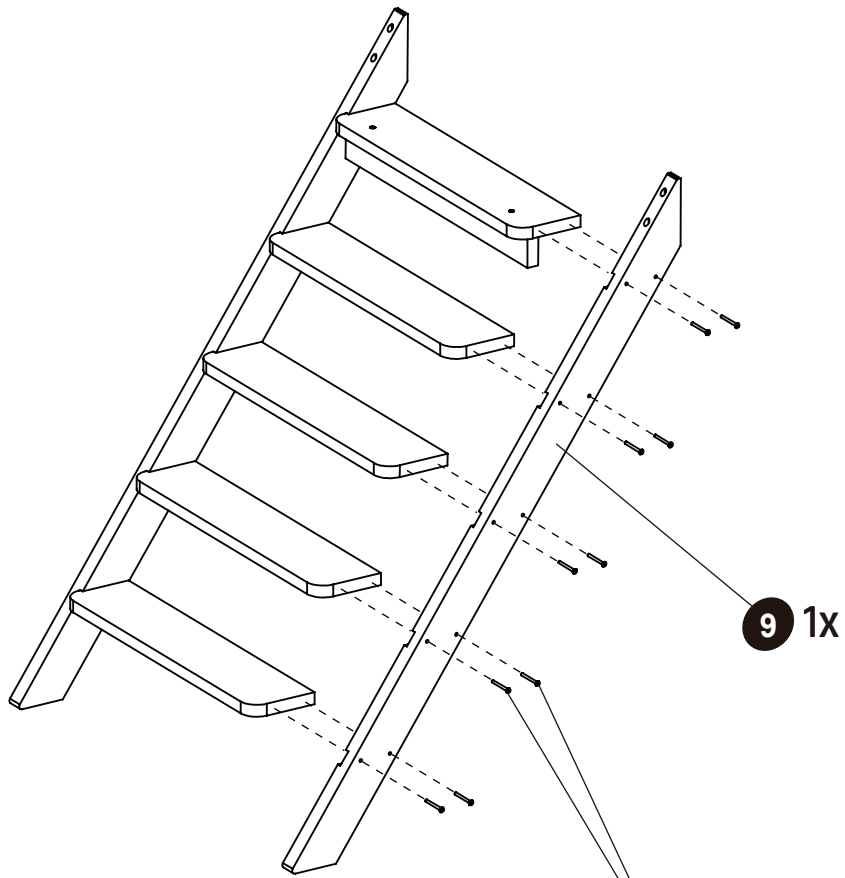
15

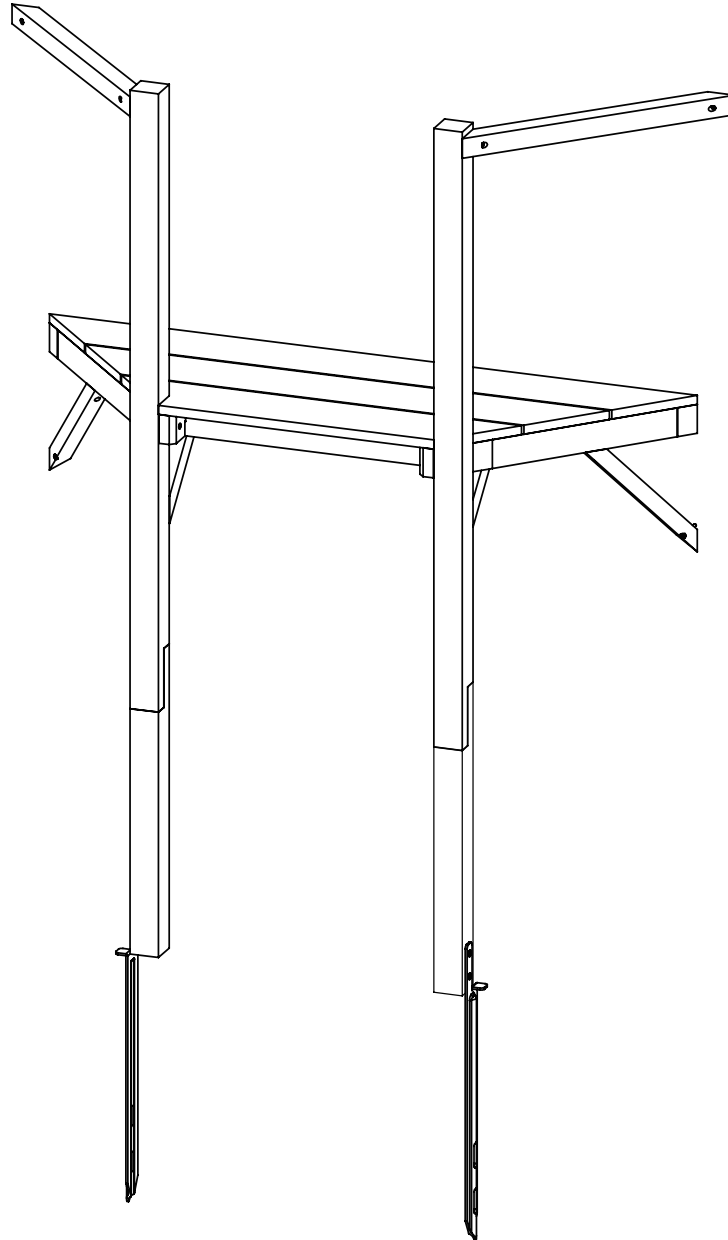


16



17

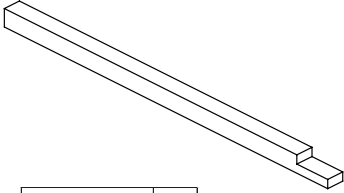
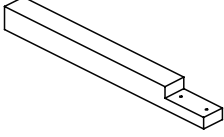
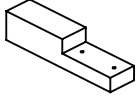
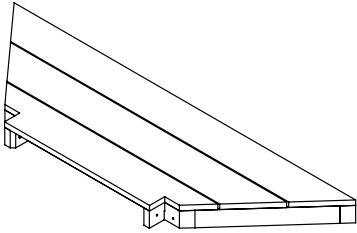
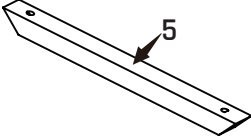
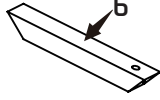
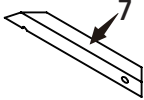
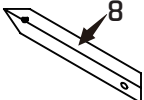
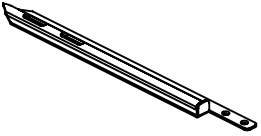













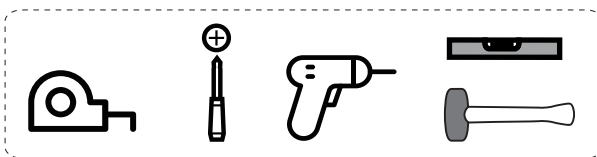
User manual
inside

EXIT Yuki Balcony Frame 350 / 550

50.90.54.00

<p>1</p>  <p>68.75.65.01 2x</p>	<p>2</p>  <p>68.75.65.02 2x</p>	<p>3</p>  <p>68.75.65.03 2x</p>			
<p>4</p>  <p>68.75.65.04 1x *</p>	<p>5</p>  <p>68.75.65.05 2x</p>	<p>6</p>  <p>68.75.65.06 2x</p>			
<p>7</p>  <p>68.75.65.07 1x</p>	<p>8</p>  <p>68.75.65.08 1x</p>	<p>9</p>  <p>52.99.01.00 2x</p>			
<table border="1"> <tr> <td data-bbox="336 1435 587 1637"> <p>10</p>  <p>4x50 11x</p> </td> <td data-bbox="727 1435 954 1637"> <p>11</p>  <p>3.5x40 12x</p> </td> <td data-bbox="1082 1435 1289 1637"> <p>12</p>  <p>4x25 4x</p> </td> </tr> </table>			<p>10</p>  <p>4x50 11x</p>	<p>11</p>  <p>3.5x40 12x</p>	<p>12</p>  <p>4x25 4x</p>
<p>10</p>  <p>4x50 11x</p>	<p>11</p>  <p>3.5x40 12x</p>	<p>12</p>  <p>4x25 4x</p>			
<p>68.75.65.50 1x</p>					

50.90.54.00

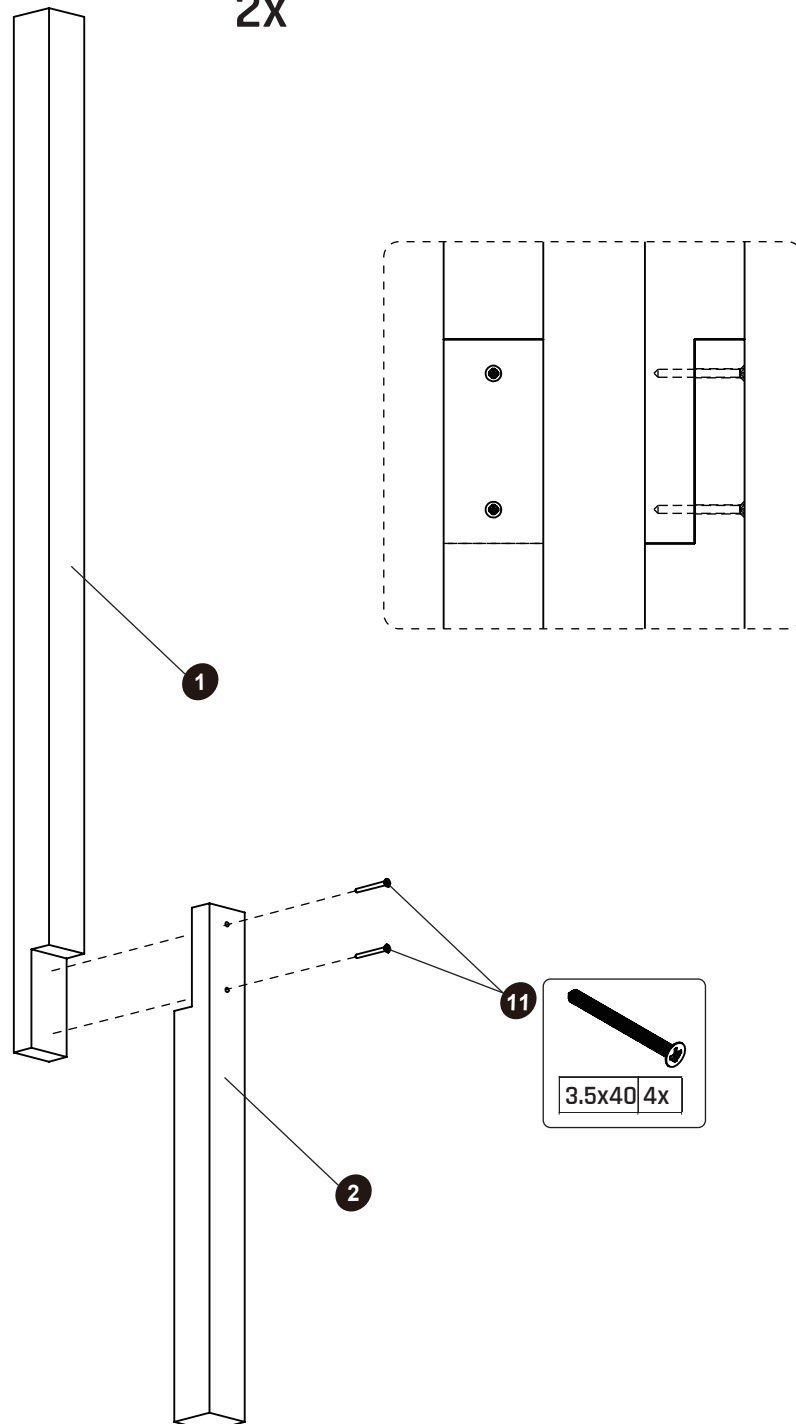


* BOX REFERENCE: XXX.XXX
 PRODUCTION ID: XXX.XXX

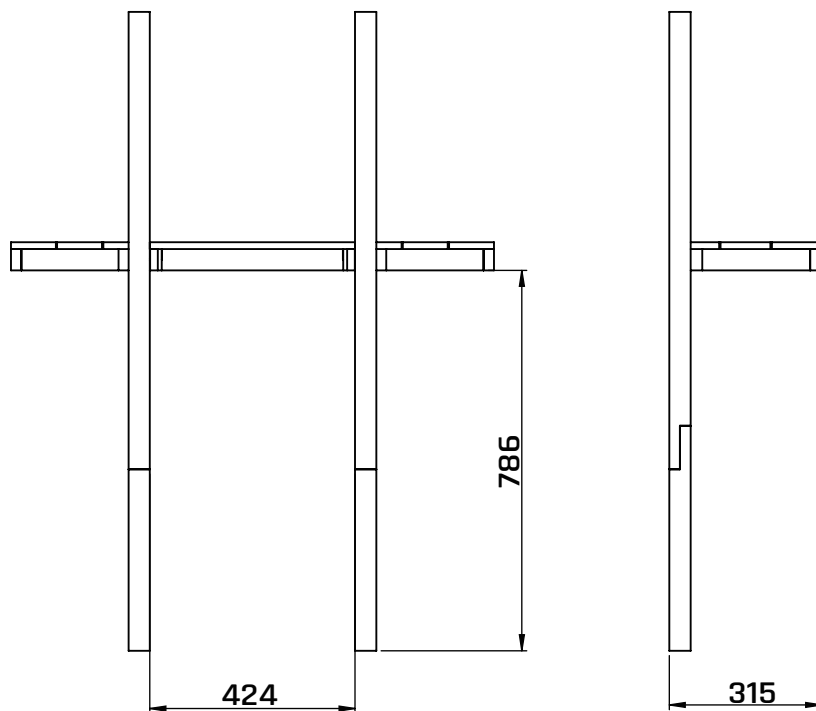
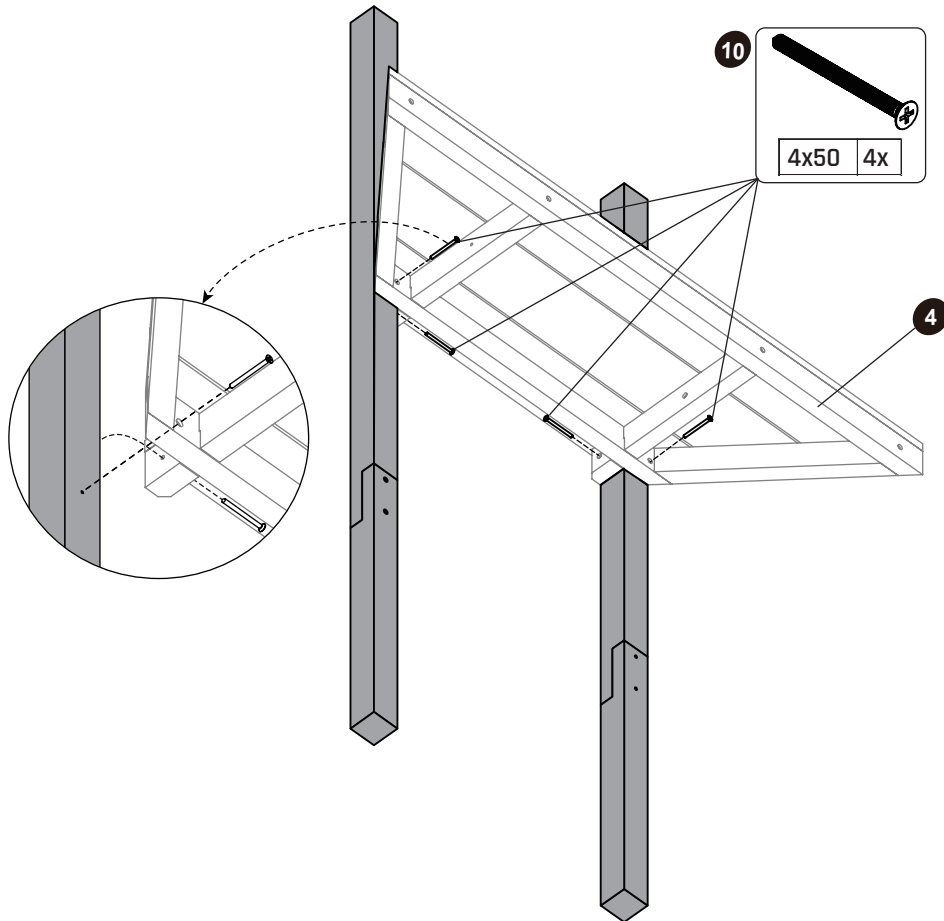


1

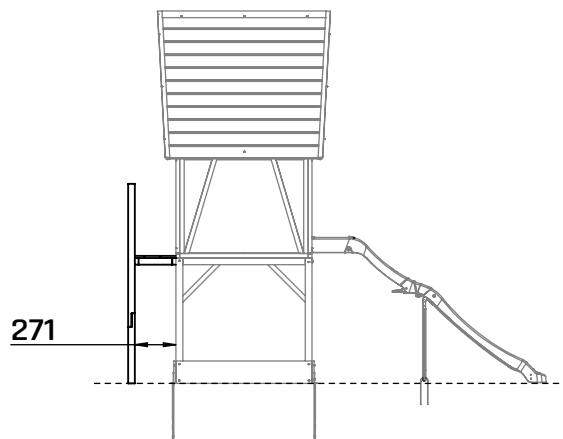
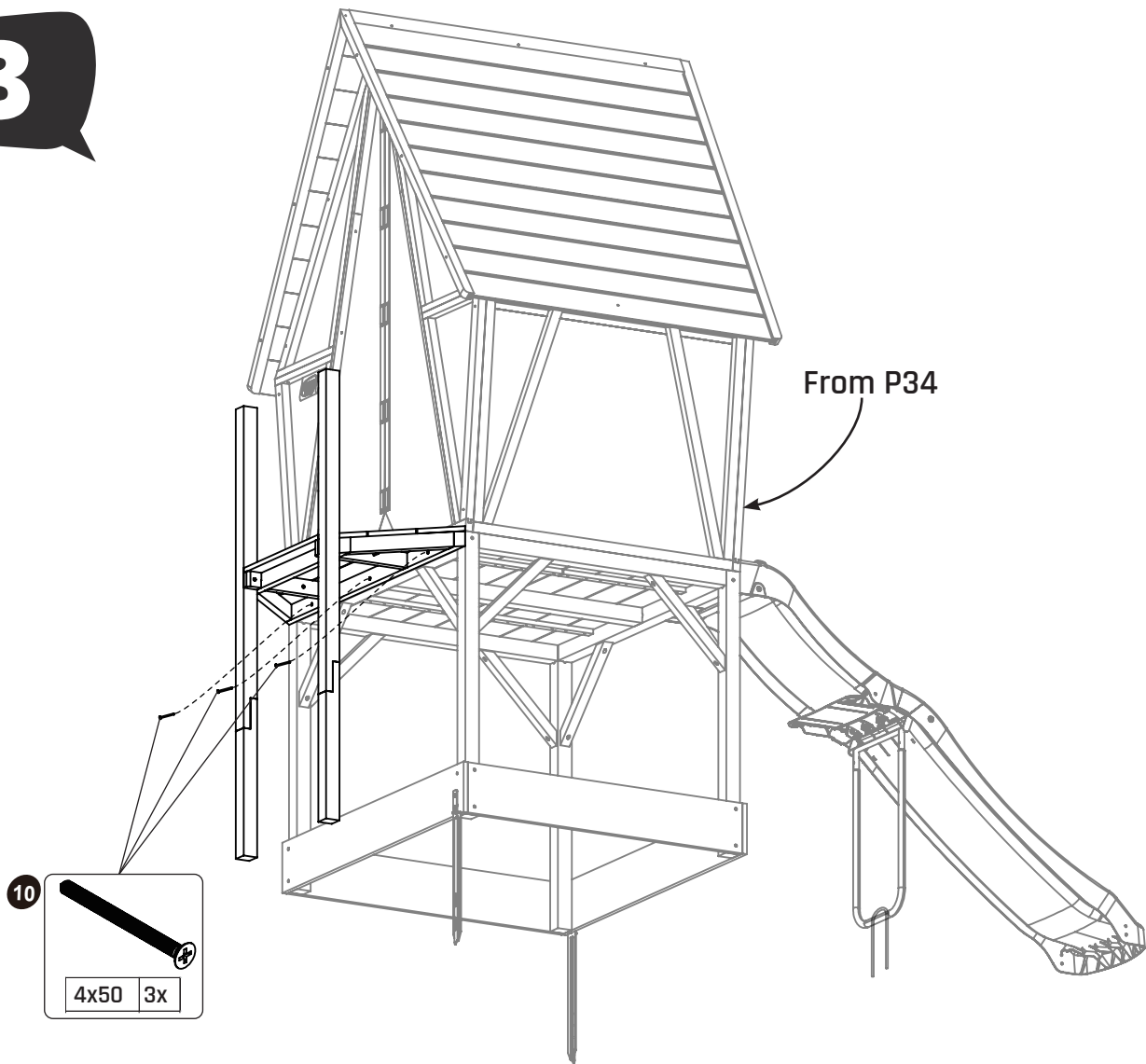
2x



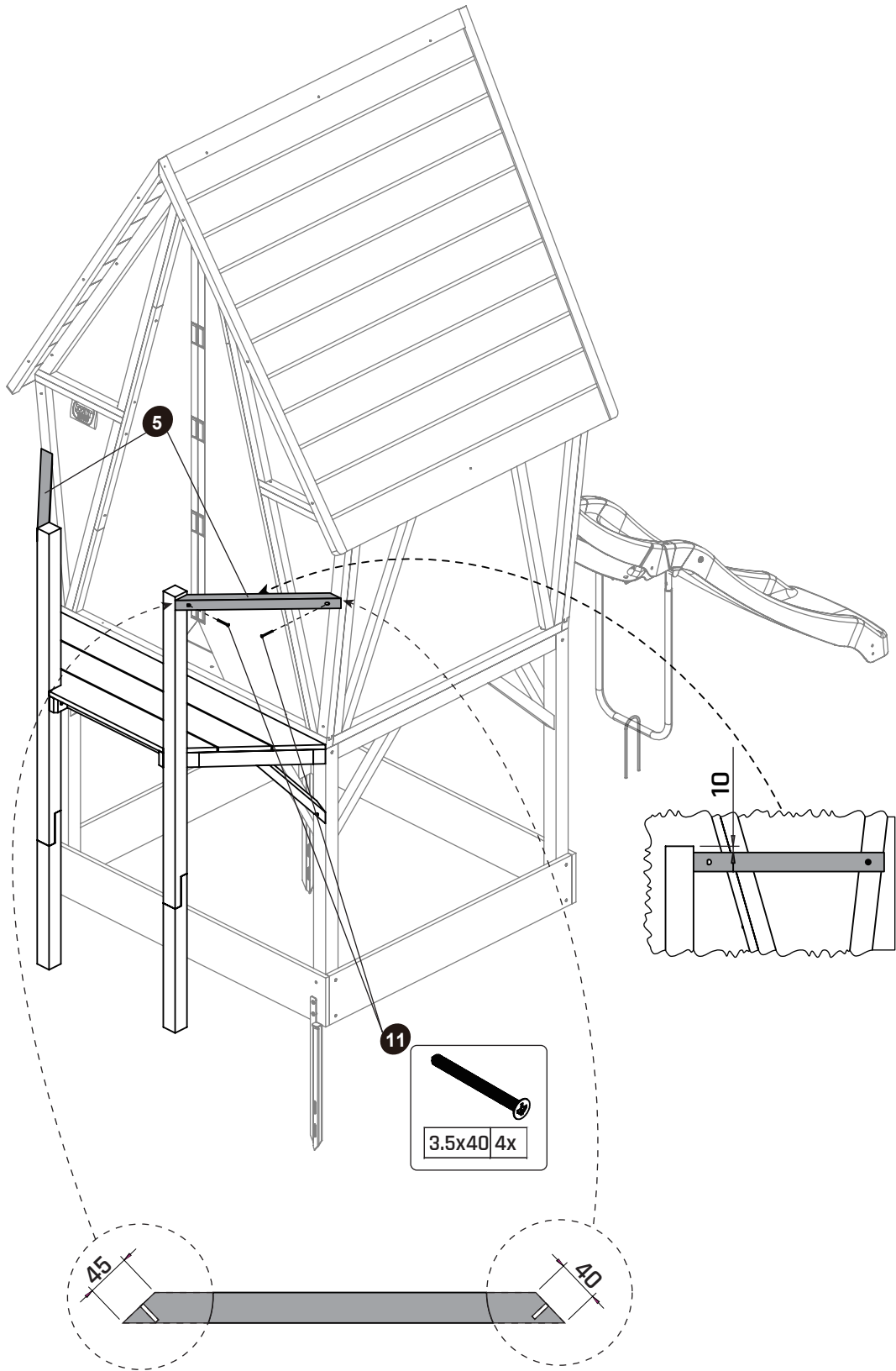
2



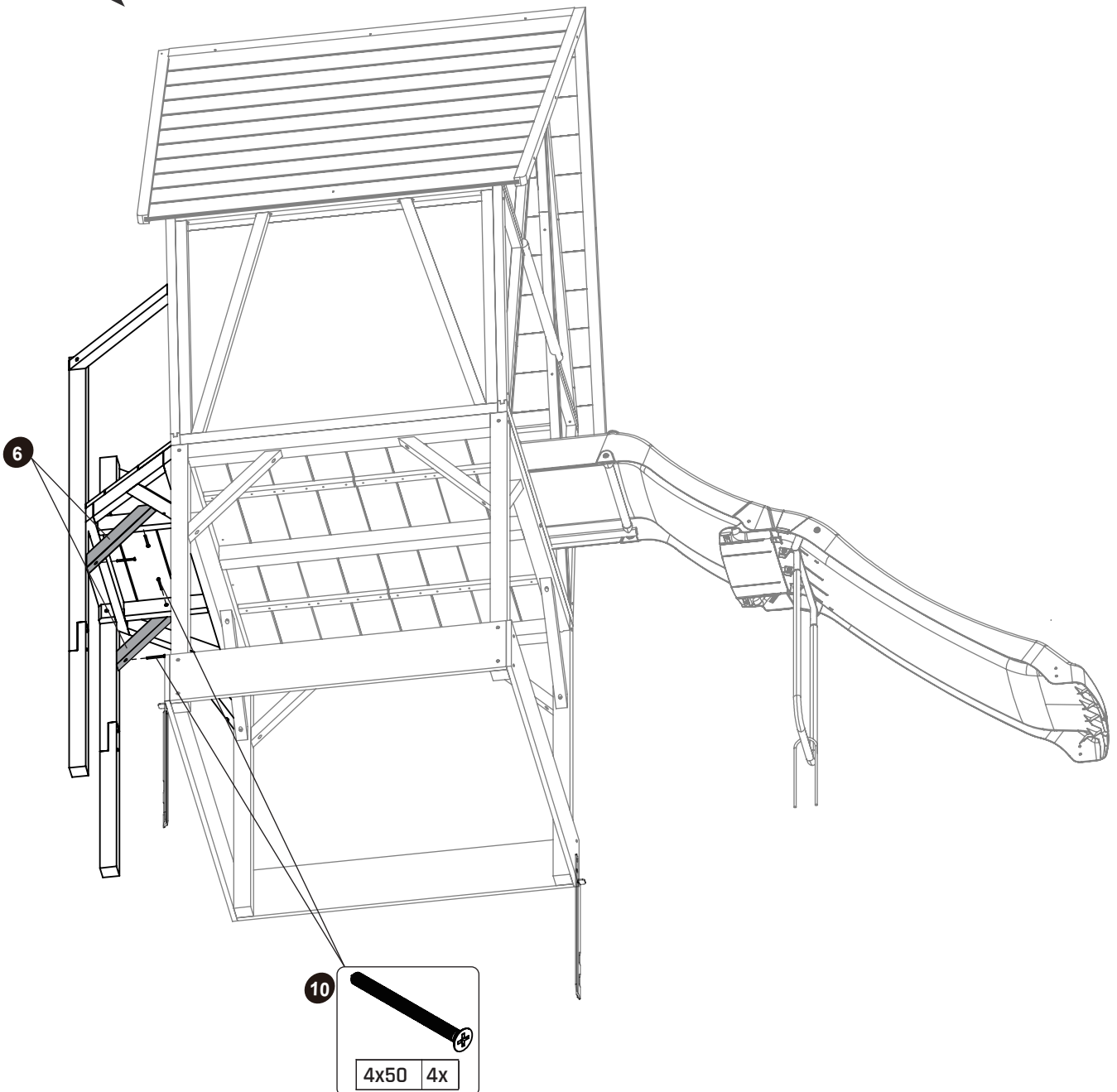
3



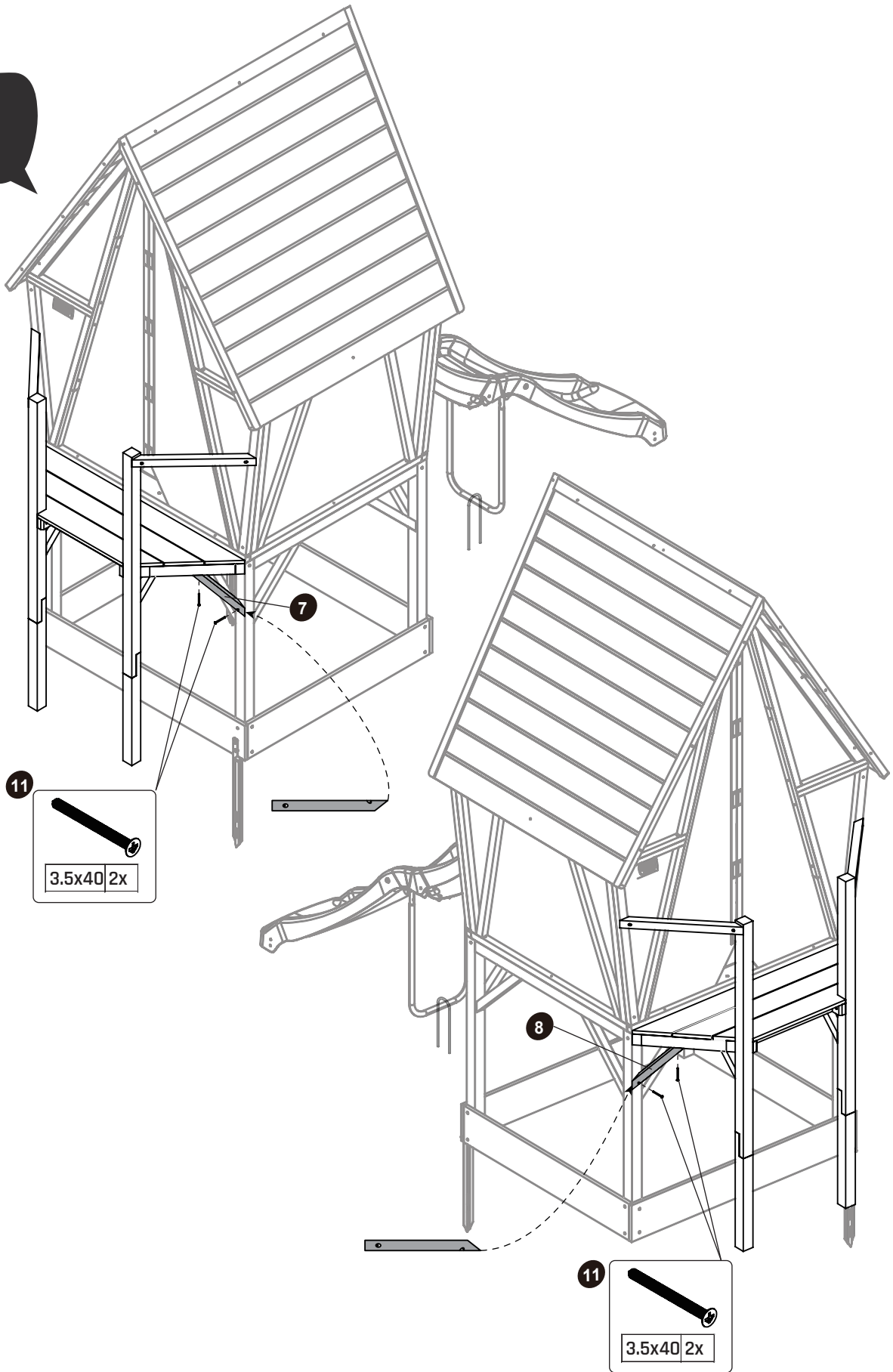
4



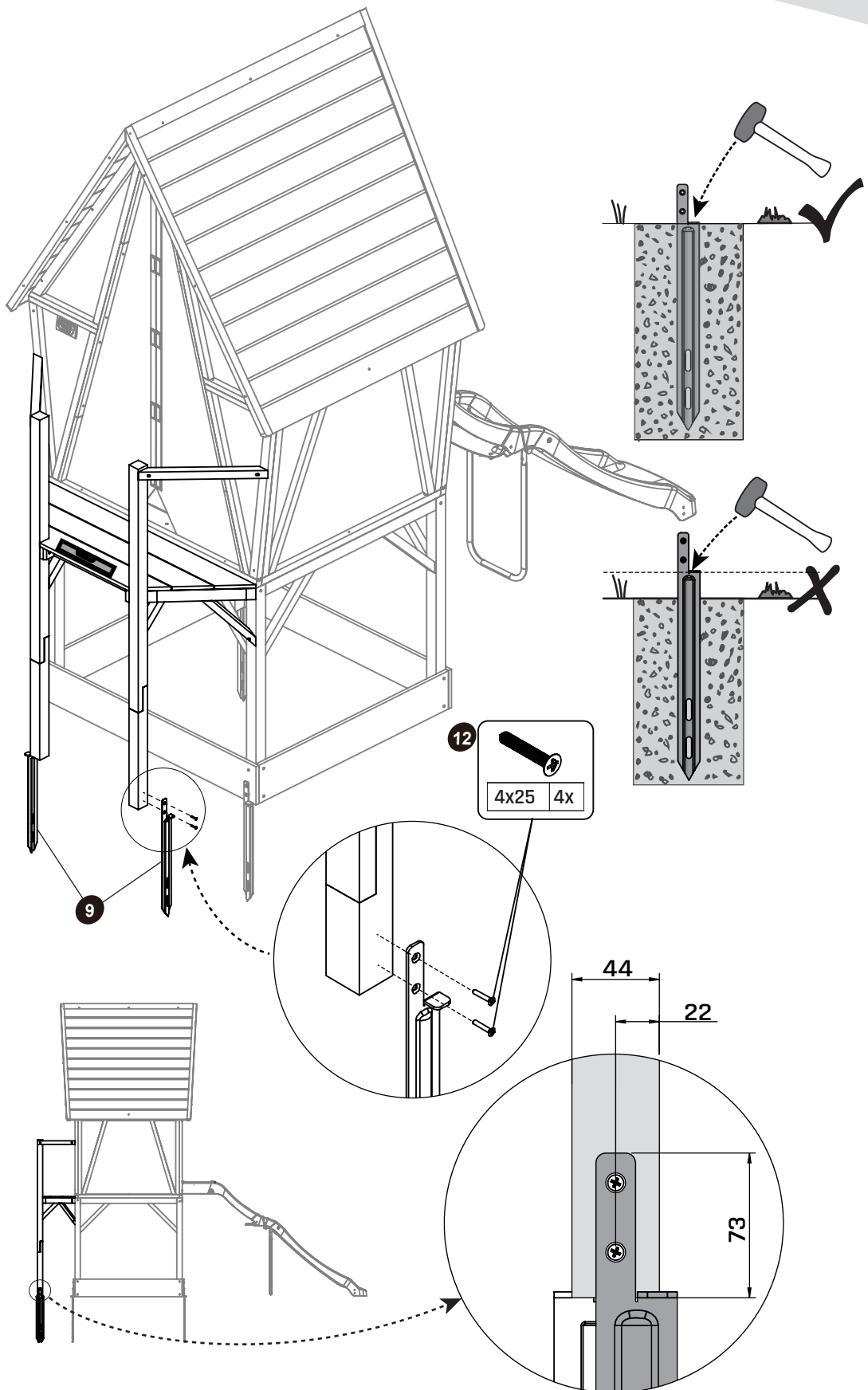
5



6

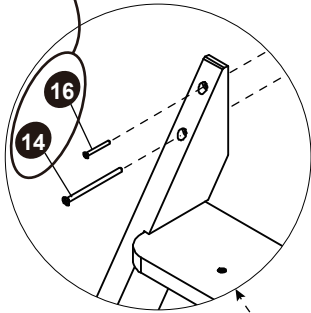


7

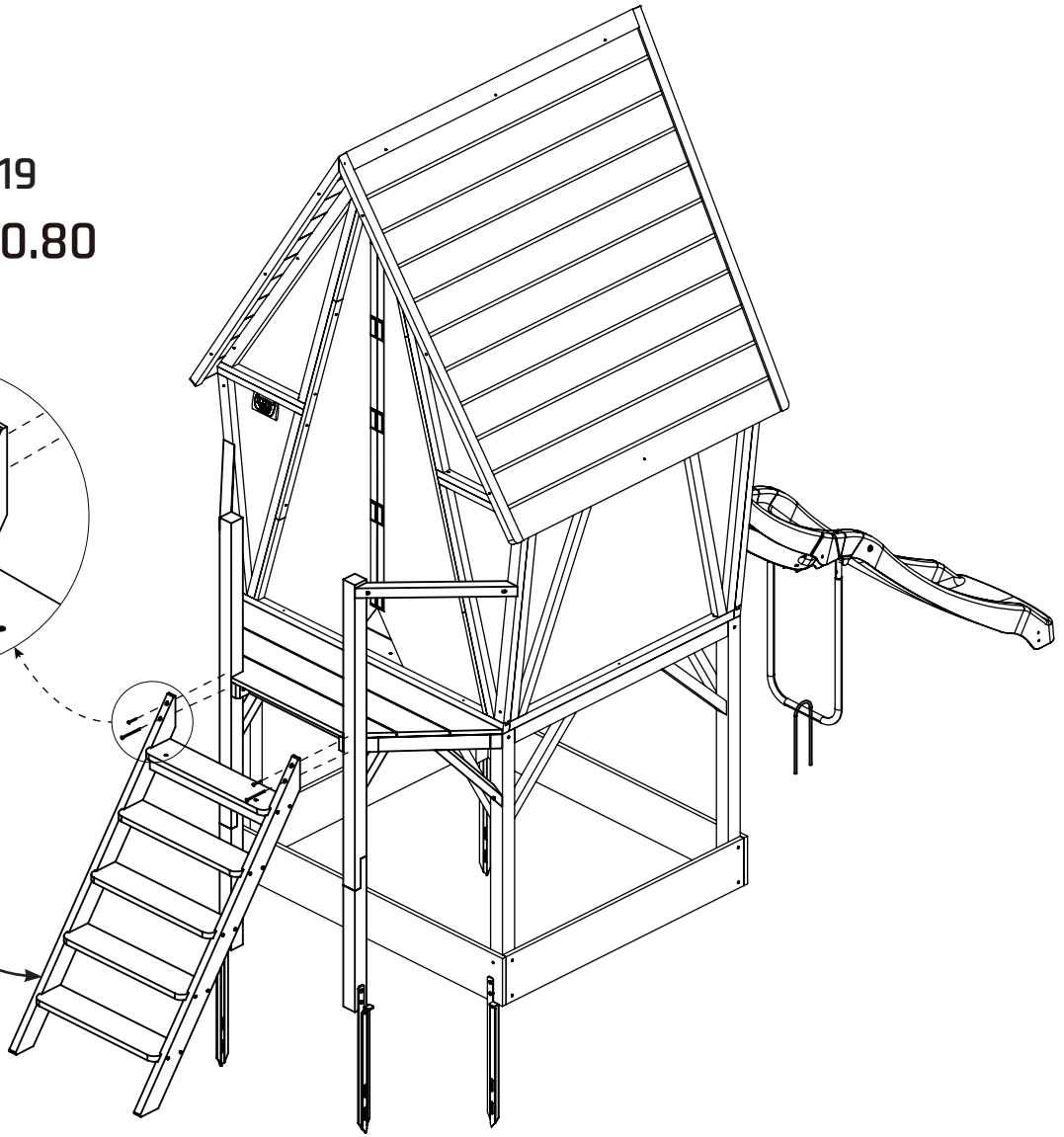


8

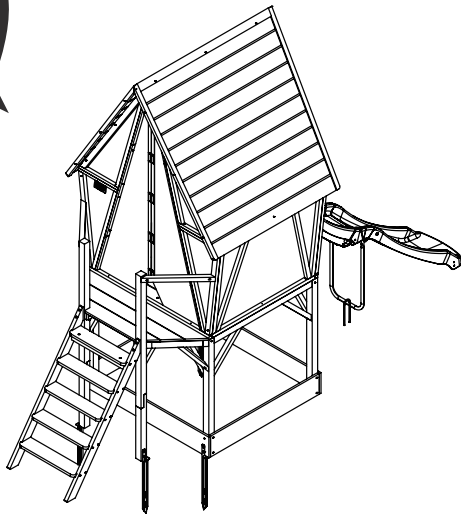
From P19
68.70.50.80



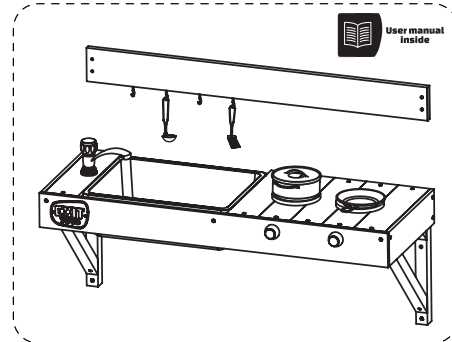
From P37



9

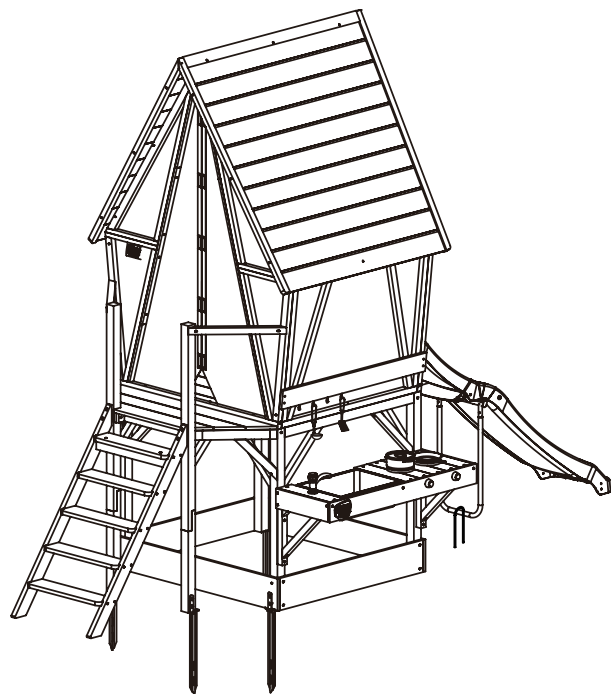
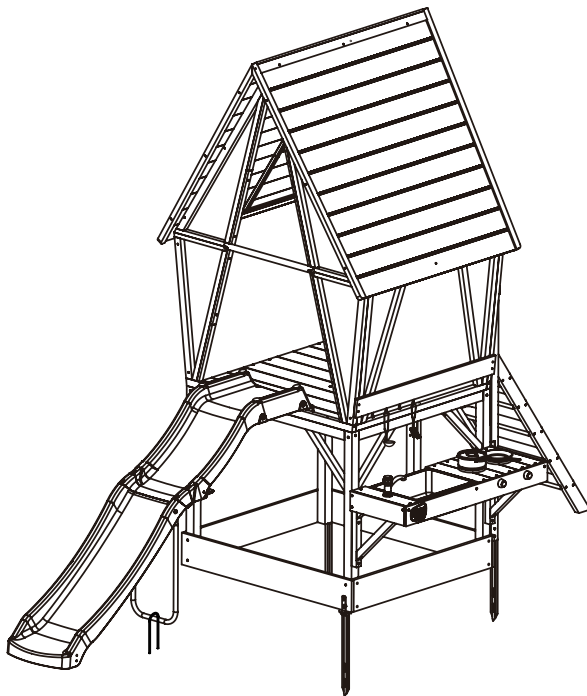
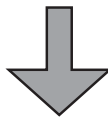


+



EXIT Yummy 50 Mud Kitchen

51.10.00.00



EXIT Yuki 550 Playhouse

50.54.05.50







www.exittoys.com



Contact Information:

Dutch Toys Group B.V.
Edisonstraat 83
7006 RB Doetinchem, The Netherlands

info@exittoys.com
www.exittoys.com

EXIT Toys is part of:

SIMBA · DICKIE · GROUP

EXIT Toys is a registered trade mark of Dutch Toys Group